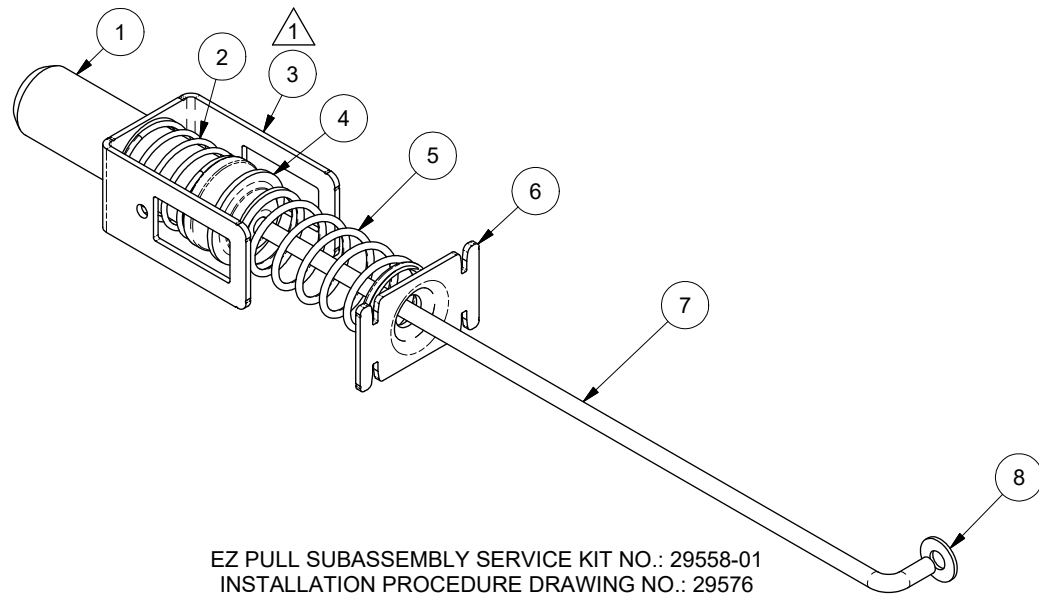
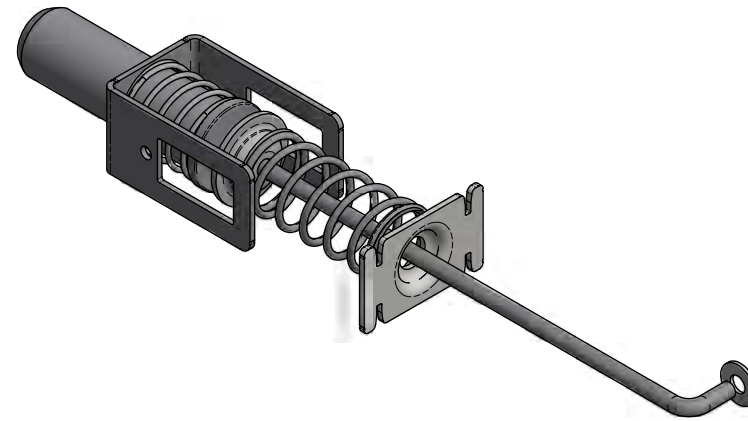


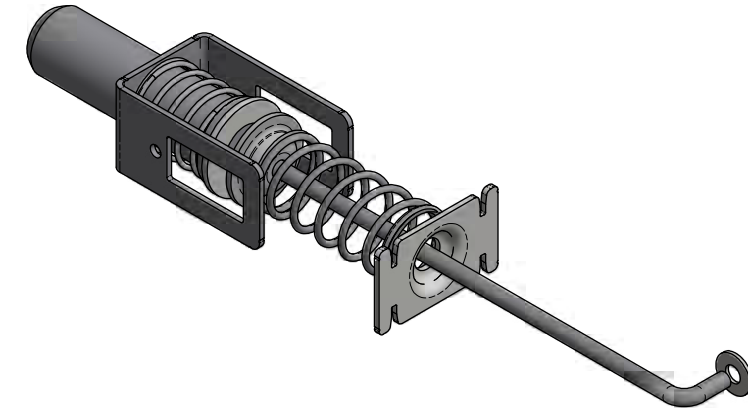
PART NUMBER	LINKAGE ROD LG	SLIDER MODEL	WEIGHT
29558-01	18.64	H8901/H8931	5.14#
29558-02	12.64	H8901/H8931	4.95#
29558-03	12.06	H9001/H90361	5.06#
29558-04	24.14	H8901/H8931	5.31#
29558-05	18.64	DANA ADVANTAGE SLIDE FRONT PIN	5.27#
29558-06	18.64	MERITOR RHP	5.14#
29558-07	18.64	DANA ADVANTAGE SLIDE REAR PIN	5.27#



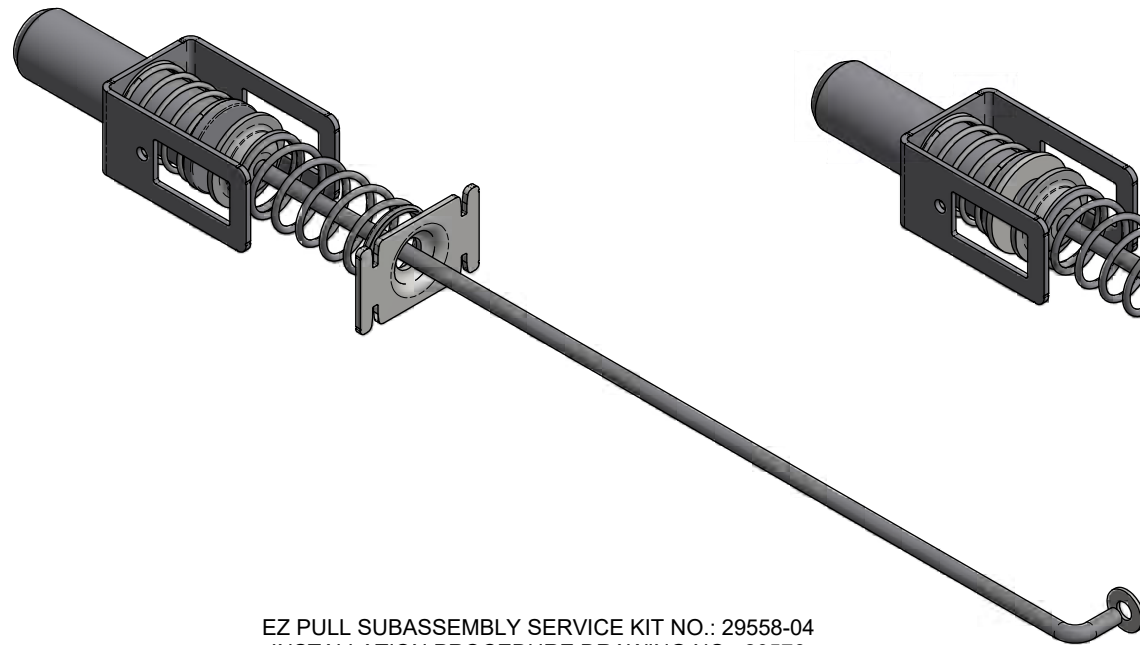
EZ PULL SUBASSEMBLY SERVICE KIT NO.: 29558-01  
 INSTALLATION PROCEDURE DRAWING NO.: 29576  
 REF EZ PULL SUBASSEMBLY PART NO.: 18945-03



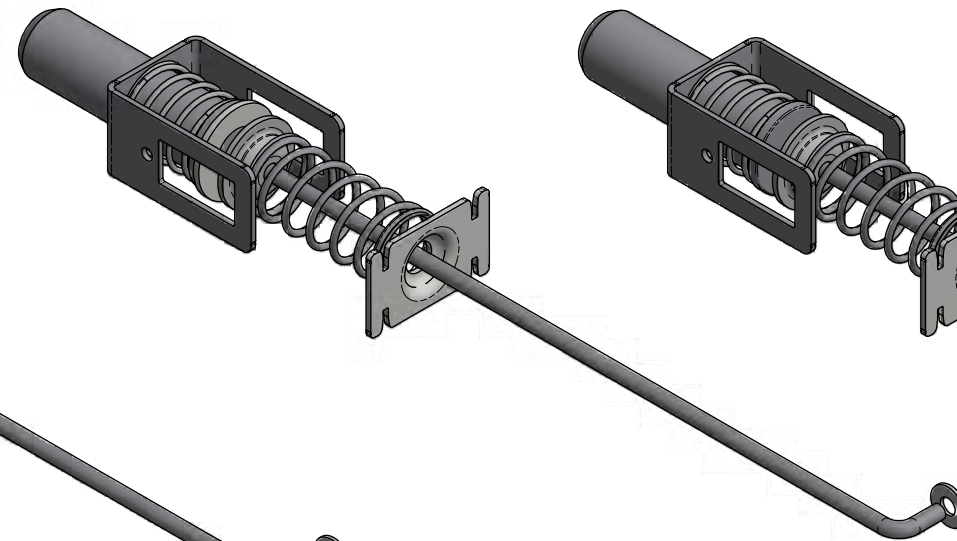
EZ PULL SUBASSEMBLY SERVICE KIT NO.: 29558-02  
 INSTALLATION PROCEDURE DRAWING NO.: 29576  
 REF EZ PULL SUBASSEMBLY PART NO.: 18945-01



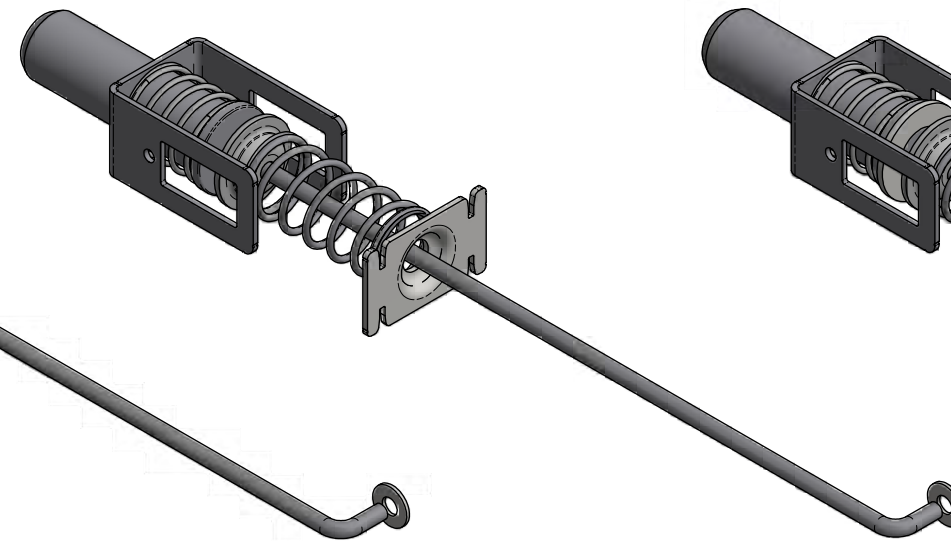
EZ PULL SUBASSEMBLY SERVICE KIT NO.: 29558-03  
 INSTALLATION PROCEDURE DRAWING NO.: 29624  
 REF EZ PULL SUBASSEMBLY PART NO.: 24686-01



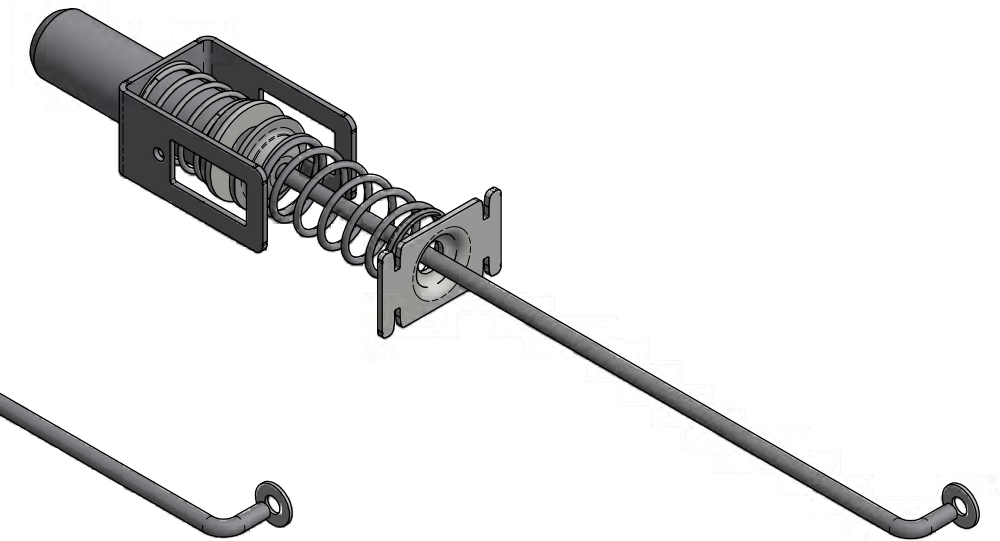
EZ PULL SUBASSEMBLY SERVICE KIT NO.: 29558-04  
 INSTALLATION PROCEDURE DRAWING NO.: 29576  
 REF EZ PULL SUBASSEMBLY PART NO.: 18945-05



EZ PULL SUBASSEMBLY SERVICE KIT NO.: 29558-05  
 INSTALLATION PROCEDURE DRAWING NO.: 29645  
 REF EZ PULL SUBASSEMBLY PART NO.: 23424-01/-02



EZ PULL SUBASSEMBLY SERVICE KIT NO.: 29558-06  
 INSTALLATION PROCEDURE DRAWING NO.: 29623  
 REF EZ PULL SUBASSEMBLY PART NO.: 20563-01



EZ PULL SUBASSEMBLY SERVICE KIT NO.: 29558-07  
 INSTALLATION PROCEDURE DRAWING NO.: 29801  
 REF EZ PULL SUBASSEMBLY PART NO.: 23425-01/-02

2. PARTS SHALL BE SHIPPED UNASSEMBLED.

1. ITEM 3 SPRING CAGE SHALL BE WELDED ON TO THE SIDE RAIL OR SUPPORT PLATE PRIOR TO ASSEMBLY. SEE INSTALLATION PROCEDURE DRAWING FOR DETAILS.

NEXT ASSY: NEXT  
 TOLERANCES (UNLESS OTHERWISE SPECIFIED)  
 DECIMAL .X ± .1  
 DECIMAL .XX ± .06  
 DECIMAL .XXX ± .030  
 ANGULAR ± 1°  
 HOLES:  
 .50 DIA AND LESS: ± .007  
 .51 DIA AND GREATER: ± .01  
 REMOVE ALL SHARP BURRS & SHARP CORNERS THAT MIGHT AFFECT ASSEMBLY, APPEARANCE, OR OPERATION OF OUR PRODUCTS.

ER NO.	SYM	DATE	BY	CHK	APPD
3/9/2018	ML				
10/4/2018	JAJ				
10/4/2018	RSB				
10/5/2018	N/A				
2018037					
20180400					
20180400-01					

DRAWN: ML DATE: 3/9/2018  
 CHECKED: JAJ DATE: 10/4/2018  
 APPROVED: RSB DATE: 10/4/2018  
 MFG APPL: N/A DATE: XX/XX/XX  
 ER: 2018037 DATE: 10/5/2018  
 PROJECT OR FILE REFERENCE NO.:  
 PROJ#: 20180400  
 EPR#: 20180400-01  
 SCALE:  
 D SIZE - 1/2  
 B SIZE - 1/4


**HUTCH**  
 Hutchens Industries  
 HUTCHENS INDUSTRIES, INC.  
 SPRINGFIELD, MISSOURI

TITLE:  
 EZ PULL SUBASSEMBLY SERVICE KIT  
 FOR 18818-02 LOCK PIN

SHEET 1 OF 2  
 D  
 DRAWING NO.: 29558

This confidential drawing is the property of Hutchens Industries, Hutchens Industries makes no warranties regarding the information on this document. Nothing herein may be transmitted or disclosed in whole or in part to other parties. The recipient of this drawing agrees not use the information for manufacturing, nor will they modify, distribute, reverse engineer, or create derivative works based on the information contained on this print without the prior written permission of Hutchens Industries. The recipient agrees not to make copies of the document or reproduce in any manner the information in the document and to return it to Hutchens Industries upon request. Any use of this document is acceptance of the terms stated above.  
 DRAWING NO.: 29558  
 REV: 1 OF 2

USE WITH MASTER DRAWING :														
ASSEMBLY DESCRIPTION				ASSY NO.										
EZP SUBASSY SERVICE KIT H8901/H8931 -18.64 LG ROD				29558-01										
H8901/H9831 -12.64 LG ROD				29558-02										
H9001/H9036I -12.06 LG ROD				29558-03										
H8901/H8931 -24.14 LG ROD				29558-04										
DANA PROPRIETARY -18.64 LG ROD				29588-05										
MERITOR RHP 11 -18.64 LG ROD				29558-06										
DANA PROPRIETARY -18.64 LG ROD				29558-07										
ITEM	PART DESCRIPTION			PART NO.	QUANTITY									
1	LOCK PIN 5.60 LG			18818-02				0	1	0	1	0	1	1
1	EZP 2 LOCK PIN 5.60 LG - W/.13 SHIM			29800-01				1	0	1	0	1	0	0
2	PIN RETRACTION SPRING			18820-01				1	1	1	1	1	1	1
3	EZ PULL SPRING CAGE			27388-01				1	1	1	1	1	1	1
4	WASHER - SPCL			18815-01				1	1	1	1	1	1	1
5	PIN ENGAGEMENT SPRING			18819-01				1	1	1	1	1	1	1
6	SPRING CAGE PLATE FOR NO WELD CAGE			27386-01				1	1	1	1	1	1	1
7	LINKAGE ROD EZ PULL - 18.64 LG			23334-03				1	1	1	0	0	0	1
7	LINKAGE ROD EZ PULL - 12.64 LG			23334-05				0	0	0	0	0	1	0
7	LINKAGE ROD EZ PULL - 12.06 LG			23334-07				0	0	0	0	1	0	0
7	LINKAGE ROD EZ PULL - 24.14 LG			23334-17				0	0	0	1	0	0	0
8	3/8 FLAT WASHER			177-00				1	1	1	1	1	1	1
9	VCI TUBING 6 MIL X 8" WIDE			29870-99				1	1	1	1	1	1	1
10	29558-01 TAG - EZ PULL SUBASSEMBLY SERVICE KIT			29558-01TAG				0	0	0	0	0	0	1
10	29558-02 TAG - EZ PULL SUBASSEMBLY SERVICE KIT			29558-02TAG				0	0	0	0	0	1	0
10	29558-03 TAG - EZ PULL SUBASSEMBLY SERVICE KIT			29558-03TAG				0	0	0	0	1	0	0
10	29558-04 TAG - EZ PULL SUBASSEMBLY SERVICE KIT			29558-04TAG				0	0	0	1	0	0	0
10	29558-05 TAG - EZ PULL SUBASSEMBLY SERVICE KIT			29558-05TAG				0	0	1	0	0	0	0
10	29558-06 TAG - EZ PULL SUBASSEMBLY SERVICE KIT			29558-06TAG				0	1	0	0	0	0	0
10	29558-07 TAG - EZ PULL SUBASSEMBLY SERVICE KIT			29558-07TAG				1	0	0	0	0	0	0

ER NO.	SYM	REVISIONS				DATE	BY	CHK	APPD	
DRAWN: ML		DATE: 3/12/2018					<b>HUTCHENS INDUSTRIES, INC.</b> <b>SPRINGFIELD, MISSOURI</b>			
CHECKED: JAJ		DATE: 10/4/2018								
APPD: RSB		DATE: 10/4/2018								
MFG APPL: N/A		DATE: XX/XX/XX								
ER: 2018037		DATE: 10/5/2018								
PROJ/REF NO. 20180400 20180400-01	NEXT ASSY NEXT	TITLE: <b>EZ PULL SUBASSEMBLY SERVICE KIT FOR 18818-02 LOCK PIN</b>								
SHEET 2 OF 2		SIZE A	DRAWING NO.: 29558		REV. -					