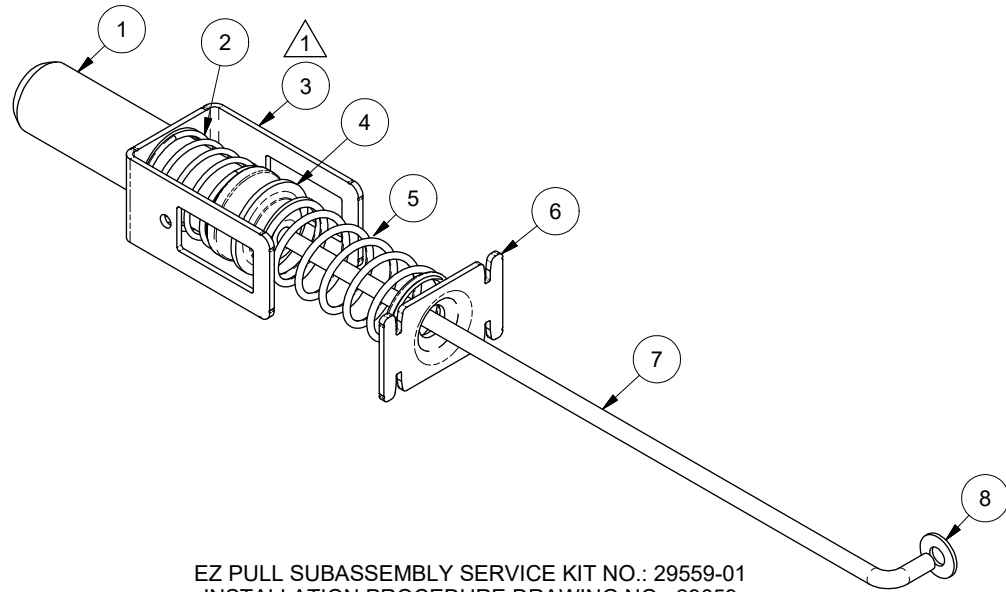
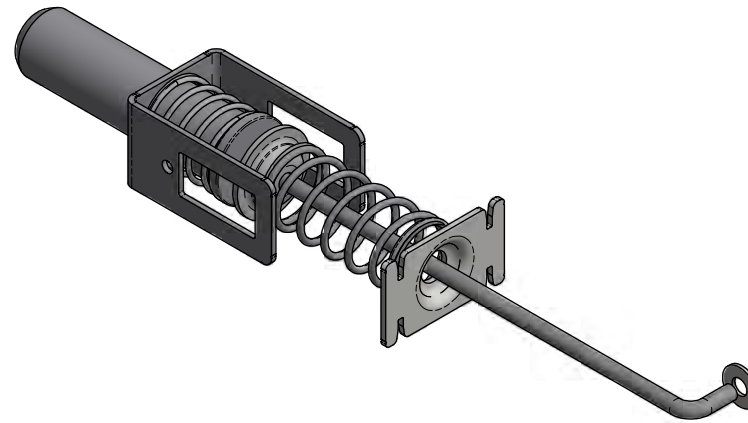


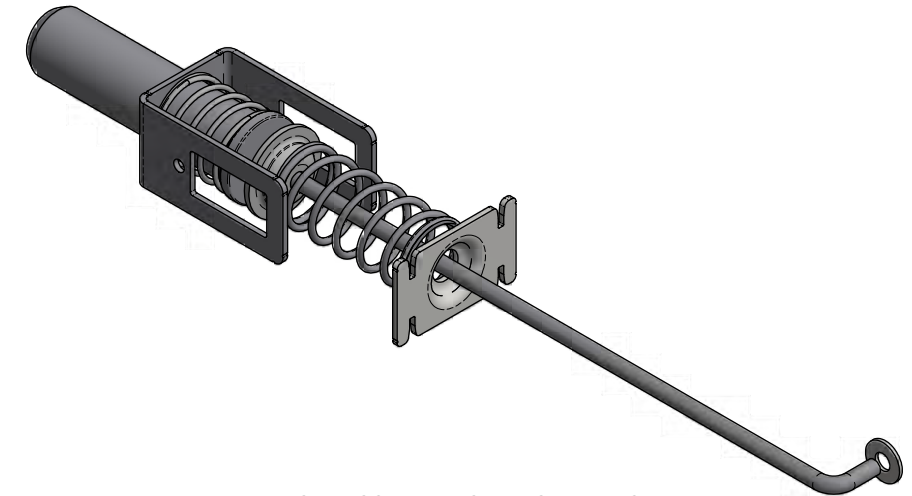
| PART NUMBER | LINKAGE ROD LG | SLIDER MODEL               | WEIGHT |
|-------------|----------------|----------------------------|--------|
| 29559-01    | 17.94          | H9801/H9811                | 5.53#  |
| 29559-02    | 12.06          | H9801/H9811                | 5.35#  |
| 29559-03    | 15.94          | H9801/H9811                | 5.47#  |
| 29559-04    | 17.94          | DANA SLIDES SR1VK200/201   | 5.66#  |
| 29559-05    | 12.06          | DANA SLIDES SR1VK200/201   | 5.47#  |
| 29559-06    | 17.94          | NEWAY NSH SLIDES FRONT PIN | 5.80#  |
| 29559-07    | 12.06          | NEWAY NSH SLIDES FRONT PIN | 5.62#  |
| 29559-08    | 17.94          | NEWAY NSH SLIDES REAR PIN  | 5.53#  |
| 29559-09    | 12.06          | NEWAY NSH SLIDES REAR PIN  | 5.35#  |



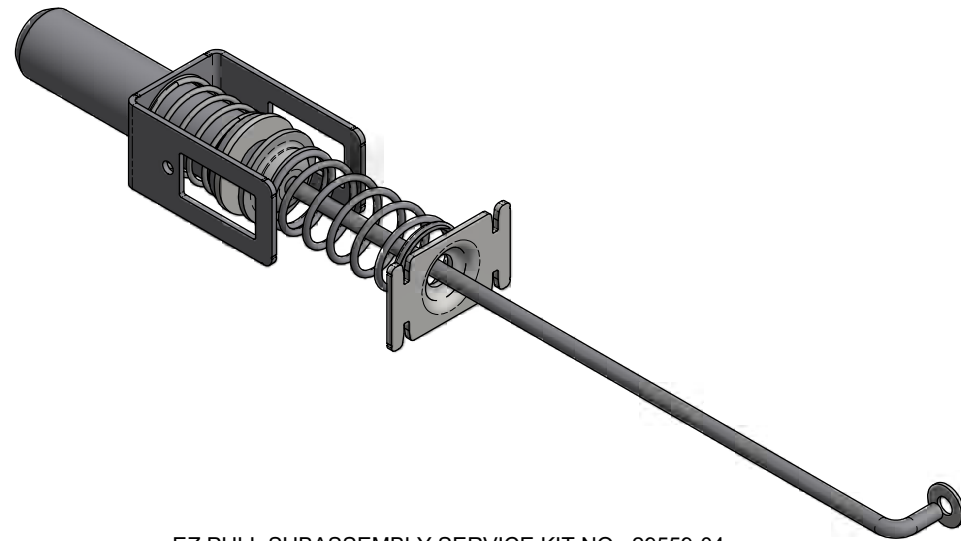
EZ PULL SUBASSEMBLY SERVICE KIT NO.: 29559-01  
 INSTALLATION PROCEDURE DRAWING NO.: 29659  
 REF EZ PULL SUBASSEMBLY PART NO.: 19033-03



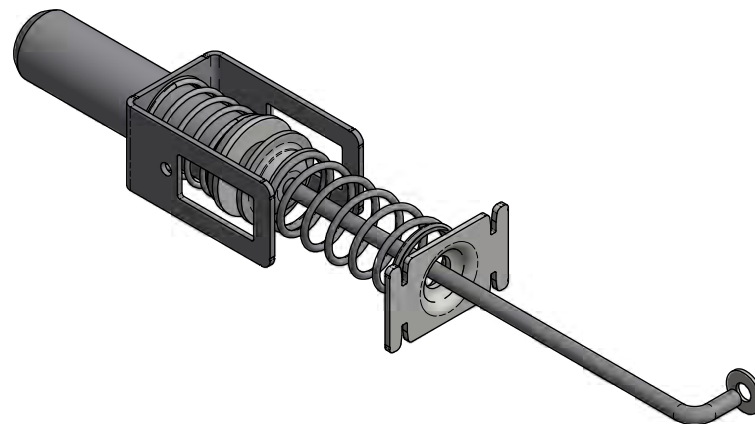
EZ PULL SUBASSEMBLY SERVICE KIT NO.: 29559-02  
 INSTALLATION PROCEDURE DRAWING NO.: 29659  
 REF EZ PULL SUBASSEMBLY PART NO.: 19033-01



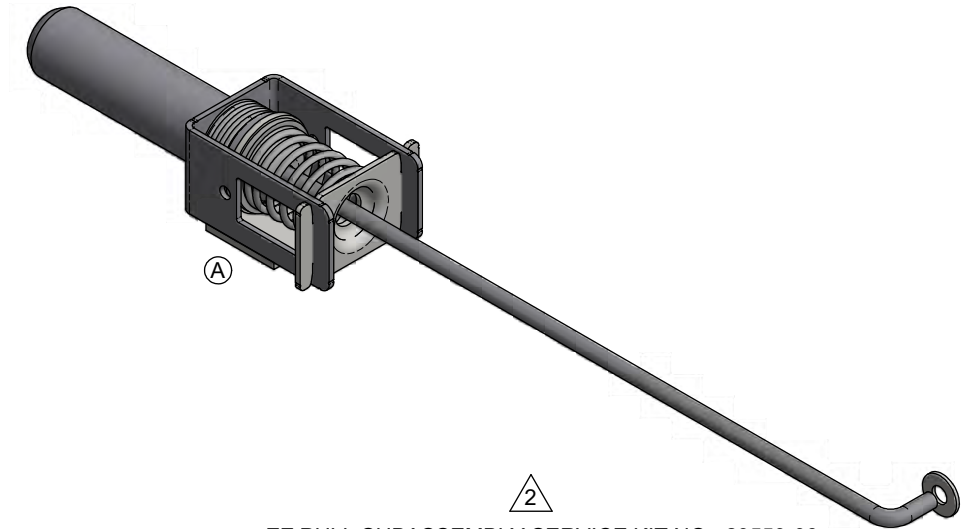
EZ PULL SUBASSEMBLY SERVICE KIT NO.: 29559-03  
 INSTALLATION PROCEDURE DRAWING NO.: 29659  
 REF EZ PULL SUBASSEMBLY PART NO.: 19033-09



EZ PULL SUBASSEMBLY SERVICE KIT NO.: 29559-04  
 INSTALLATION PROCEDURE DRAWING NO.: 29645  
 REF EZ PULL SUBASSEMBLY PART NO.: 21360-03/-04



EZ PULL SUBASSEMBLY SERVICE KIT NO.: 29559-05  
 INSTALLATION PROCEDURE DRAWING NO.: 29645  
 REF EZ PULL SUBASSEMBLY PART NO.: 21360-01/-02



EZ PULL SUBASSEMBLY SERVICE KIT NO.: 29559-06  
 INSTALLATION PROCEDURE DRAWING NO.: 29677  
 REF EZ PULL SUBASSEMBLY PART NO.: 19299-03

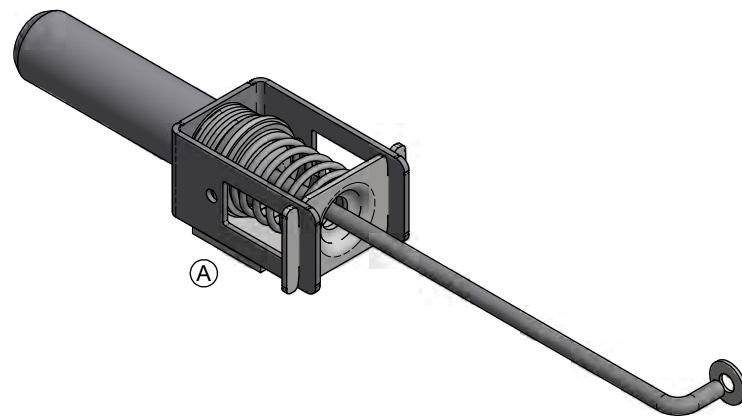
2. ASSEMBLE KITS 29559-06 AND 29559-07 PRIOR SHIPPING.  
 ALL OTHER KITS SHALL BE SHIPPED UNASSEMBLED.

1. ITEM 3 SPRING CAGE SHALL BE WELDED ON TO THE CROSSMEMBER OR SUPPORT PLATE  
 PRIOR TO ASSEMBLY. SEE INSTALLATION PROCEDURE DRAWING FOR DETAILS.

|               |                 |   |   |              |     |        |
|---------------|-----------------|---|---|--------------|-----|--------|
| 2018224       | A               | PICTORIALLY UPDATED ITEM 3 CAGE FOR 29559-06 AND -07. | 12/18   | ML           | JAJ | RSB    |
| ER NO.        | SYM             | REVISIONS   | DATE  | BY           | CHK | APPD   |
| DRAWN: ML     | DATE: 3/9/2018  |   |   |              |     |        |
| CHECKED: JAJ  | DATE: 10/3/2018 |   |   |              |     |        |
| APPROVED: RSB | DATE: 10/3/2018 |   |   |              |     |        |
| MFG APPL: N/A | DATE: XX/XX/XX  |   |   |              |     |        |
| ER: 2018037   | DATE: 10/4/2018 | PROJECT OR FILE REFERENCE NO.:                        | EZ PULL SUBASSEMBLY SERVICE KIT FOR 18818-01 LOCK PIN |              |     |        |
|               |                 | PROJ#: 20180400                                       |   |              |     |        |
|               |                 | EPR#: 20180400-01                                     |   |              |     |        |
|               |                 | SCALE:  | D SIZE - HALF   | SHEET 1 OF 3 | D   | REV. A |
|               |                 |   | B SIZE - 1/4  | 29559        |     | 1 OF 3 |

This confidential drawing is the property of Hutchens Industries, Hutchens Industries makes no warranties regarding the information on this document. Nothing herein may be retransmitted or disseminated in whole or in part to other parties. The recipient of this drawing agrees not to use the information for manufacturing, nor will they modify, distribute, reverse engineer, or create derivative works based on the information contained on this part without the prior written permission of Hutchens Industries. The recipient agrees not to make copies of the document or reproduce in any manner the information in the document and to return it to Hutchens Industries upon request. Any use of this document is acceptance of the terms stated above.  
 DRAWING NO.: 29559  
 REV. A  
 1 OF 3

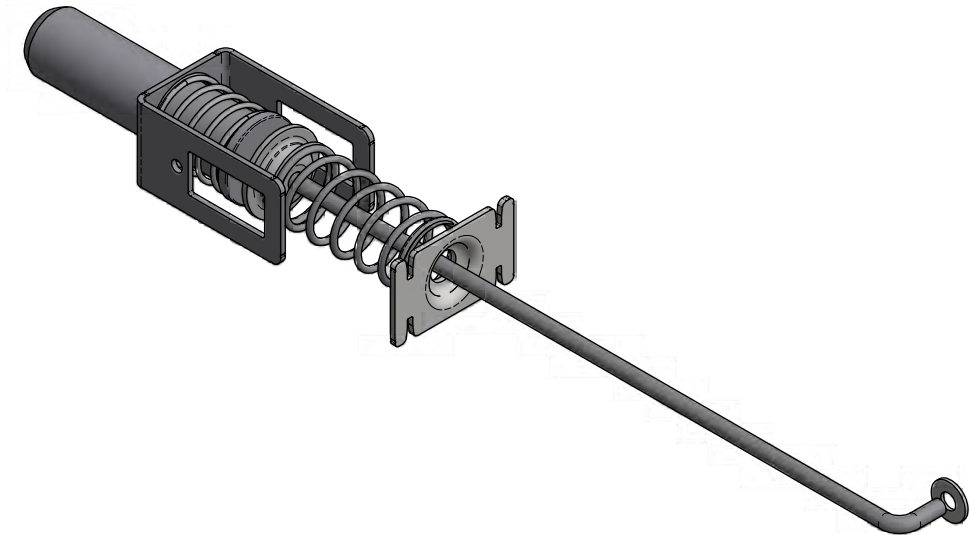
| PART NUMBER | LINKAGE ROD LG | SLIDER MODEL               | WEIGHT |
|-------------|----------------|----------------------------|--------|
| 29559-01    | 17.94          | H9801/H9811                | 5.53#  |
| 29559-02    | 12.06          | H9801/H9811                | 5.35#  |
| 29559-03    | 15.94          | H9801/H9811                | 5.47#  |
| 29559-04    | 17.94          | DANA SLIDES SR1VK200/201   | 5.66#  |
| 29559-05    | 12.06          | DANA SLIDES SR1VK200/201   | 5.47#  |
| 29559-06    | 17.94          | NEWAY NSH SLIDES FRONT PIN | 5.80#  |
| 29559-07    | 12.06          | NEWAY NSH SLIDES FRONT PIN | 5.62#  |
| 29559-08    | 17.94          | NEWAY NSH SLIDES REAR PIN  | 5.53#  |
| 29559-09    | 12.06          | NEWAY NSH SLIDES REAR PIN  | 5.35#  |



△  
EZ PULL SUBASSEMBLY SERVICE KIT NO.: 29559-07  
INSTALLATION PROCEDURE DRAWING NO.: 29677  
REF EZ PULL SUBASSEMBLY PART NO.: 19299-01



EZ PULL SUBASSEMBLY SERVICE KIT NO.: 29559-08  
INSTALLATION PROCEDURE DRAWING NO.: 29648  
REF EZ PULL SUBASSEMBLY PART NO.: 19300-03



EZ PULL SUBASSEMBLY SERVICE KIT NO.: 29559-09  
INSTALLATION PROCEDURE DRAWING NO.: 29648  
REF EZ PULL SUBASSEMBLY PART NO.: 19300-01


△ ASSEMBLE KITS 29559-06 AND 29559-07 PRIOR SHIPPING.  
ALL OTHER KITS SHALL BE SHIPPED UNASSEMBLED.

1. ITEM 3 SPRING CAGE SHALL BE WELDED ON TO THE CROSSMEMBER OR SUPPORT PLATE  
PRIOR TO ASSEMBLY. SEE INSTALLATION PROCEDURE DRAWING FOR DETAILS.

|  |     |   |           |   |           |                                   |     |      |
|--|-----|---|-----------|---|-----------|-----------------------------------|-----|------|
| 2018224  | A   | PICTORIALLY UPDATED ITEM 3 CAGE FOR 29559-06 AND -07. |           |   | 12/18     | ML                                | JAJ | RSB  |
| ER NO.   | SYM | DATE  | DATE      | DATE  | DATE      | BY                                | CHK | APPD |
|  |     | 3/9/2018  | 10/3/2018 | 10/3/2018   | 10/4/2018 |                                   |     |      |
| DRAWN: ML  |     | CHECKED: JAJ  |           | APPROVED: RSB   |           | MFG APPL: N/A                     |     |      |
| ER: 2018037  |     | PROJECT OR FILE REFERENCE NO.: PROJ#: 20180400        |           | EPR#: 20180400-01                                     |           | SCALE: D SIZE - HALF B SIZE - 1/4 |     |      |
| TOLERANCES (UNLESS OTHERWISE SPECIFIED)<br>DECIMAL .X ± .1<br>DECIMAL .XX ± .06<br>DECIMAL .XXX ± .030<br>ANGULAR ± 1°<br>HOLES:<br>.50 DIA AND LESS: ± .007<br>.51 DIA AND GREATER: ± .01<br>REMOVE ALL SHARP BURRS & SHARP CORNERS THAT MIGHT AFFECT ASSEMBLY, APPEARANCE, OR OPERATION OF OUR PRODUCTS. |     | HUTCHENS INDUSTRIES, INC.<br>SPRINGFIELD, MISSOURI    |           | EZ PULL SUBASSEMBLY SERVICE KIT FOR 18818-01 LOCK PIN |           |                                   |     |      |
| SHEET 2 OF 3   |     | D   |           | DRAWING NO.: 29559                                    |           | REV. A 2 OF 3                     |     |      |

This confidential drawing is the property of Hutchens Industries, Hutchens Industries makes no warranties regarding the information on this document. Nothing herein may be transmitted or disclosed in whole or in part to other parties. The recipient of this drawing agrees not to use the information for manufacturing, nor will they modify, distribute, reverse engineer, or create derivative works based on the information contained on this print without the prior written permission of Hutchens Industries. The recipient agrees not to make copies of the document or reproduce in any manner the information in the document and to return it to Hutchens Industries upon request. Any use of this document is acceptance of the terms stated above.

| USE WITH MASTER DRAWING :                         |  |  |  |             |          |   |   |   |   |   |   |   |   |
|---|--|--|--|-------------|----------|---|---|---|---|---|---|---|---|
| ASSEMBLY DESCRIPTION                              |  |  |  | ASSY NO.    |          |   |   |   |   |   |   |   |   |
| EZP SUBASSY SERVICE KIT H9800/H9811 -17.94 LG ROD |  |  |  | 29559-01    |          |   |   |   |   |   |   |   |   |
| H9800/H9811 -12.06 LG ROD                         |  |  |  | 29559-02    |          |   |   |   |   |   |   |   |   |
| H9801/H9811 -15.94 LG ROD                         |  |  |  | 29559-03    |          |   |   |   |   |   |   |   |   |
| DANA SLIDES SR1VK200/201 -17.94 LG ROD            |  |  |  | 29559-04    |          |   |   |   |   |   |   |   |   |
| DANA SLIDES SR1VK200/201 -12.06 LG ROD            |  |  |  | 29559-05    |          |   |   |   |   |   |   |   |   |
| NEWAY NSH FRONT PIN -17.94 LG ROD                 |  |  |  | 29559-06    |          |   |   |   |   |   |   |   |   |
| NEWAY NSH FRONT PIN -12.06 LG ROD                 |  |  |  | 29559-07    |          |   |   |   |   |   |   |   |   |
| NEWAY NSH REAR PIN -17.94 LG ROD                  |  |  |  | 29559-08    |          |   |   |   |   |   |   |   |   |
| NEWAY NSH REAR PIN -12.06 LG ROD                  |  |  |  | 29559-09    |          |   |   |   |   |   |   |   |   |
| ITEM  | PART DESCRIPTION                               |  |  | PART NO.    | QUANTITY |   |   |   |   |   |   |   |   |
| 1   | LOCK PIN 6.30 LG                               |  |  | 18818-01    | 1        | 1 | 0 | 0 | 0 | 0 | 1 | 1 | 1 |
| 1   | EZP 2 LOCK PIN 6.30 LG - W/.13 SHIM            |  |  | 29812-01    | 0        | 0 | 1 | 1 | 1 | 1 | 0 | 0 | 0 |
| 2   | PIN RETRACTION SPRING                          |  |  | 18820-01    | 1        | 1 | 1 | 1 | 1 | 1 | 1 | 1 | 1 |
| 3   | EZ PULL SPRING CAGE                            |  |  | 27388-01    | 1        | 1 | 0 | 0 | 1 | 1 | 1 | 1 | 1 |
| 3   | EZP CAGE NEWAY NSB SLIDE FRONT PIN             |  |  | 29678-01    | 0        | 0 | 1 | 1 | 0 | 0 | 0 | 0 | 0 |
| 4   | WASHER - SPCL                                  |  |  | 18815-01    | 1        | 1 | 1 | 1 | 1 | 1 | 1 | 1 | 1 |
| 5   | PIN ENGAGEMENT SPRING                          |  |  | 18819-01    | 1        | 1 | 1 | 1 | 1 | 1 | 1 | 1 | 1 |
| 6   | SPRING CAGE PLATE FOR NO WELD CAGE             |  |  | 27386-01    | 1        | 1 | 1 | 1 | 1 | 1 | 1 | 1 | 1 |
| 7   | LINKAGE ROD EZ PULL - 17.94 LG                 |  |  | 23334-01    | 0        | 1 | 0 | 1 | 0 | 1 | 0 | 0 | 1 |
| 7   | LINKAGE ROD EZ PULL - 12.06 LG                 |  |  | 23334-07    | 1        | 0 | 1 | 0 | 1 | 0 | 0 | 1 | 0 |
| 7   | LINKAGE ROD EZ PULL - 15.94 LG                 |  |  | 23334-13    | 0        | 0 | 0 | 0 | 0 | 0 | 1 | 0 | 0 |
| 8   | 3/8 FLAT WASHER                                |  |  | 177-00      | 1        | 1 | 1 | 1 | 1 | 1 | 1 | 1 | 1 |
| 9   | VCI TUBING 6 MIL X 8" WIDE                     |  |  | 29870-99    | 1        | 1 | 1 | 1 | 1 | 1 | 1 | 1 | 1 |
| 10  | 29559-01 TAG - EZ PULL SUBASSEMBLY SERVICE KIT |  |  | 29559-01TAG | 0        | 0 | 0 | 0 | 0 | 0 | 0 | 0 | 1 |
| 10  | 29559-02 TAG - EZ PULL SUBASSEMBLY SERVICE KIT |  |  | 29559-02TAG | 0        | 0 | 0 | 0 | 0 | 0 | 0 | 1 | 0 |
| 10  | 29559-03 TAG - EZ PULL SUBASSEMBLY SERVICE KIT |  |  | 29559-03TAG | 0        | 0 | 0 | 0 | 0 | 0 | 1 | 0 | 0 |
| 10  | 29559-04 TAG - EZ PULL SUBASSEMBLY SERVICE KIT |  |  | 29559-04TAG | 0        | 0 | 0 | 0 | 0 | 1 | 0 | 0 | 0 |
| 10  | 29559-05 TAG - EZ PULL SUBASSEMBLY SERVICE KIT |  |  | 29559-05TAG | 0        | 0 | 0 | 0 | 1 | 0 | 0 | 0 | 0 |
| 10  | 29559-06 TAG - EZ PULL SUBASSEMBLY SERVICE KIT |  |  | 29559-06TAG | 0        | 0 | 0 | 1 | 0 | 0 | 0 | 0 | 0 |
| 10  | 29559-07 TAG - EZ PULL SUBASSEMBLY SERVICE KIT |  |  | 29559-07TAG | 0        | 0 | 1 | 0 | 0 | 0 | 0 | 0 | 0 |
| 10  | 29559-08 TAG - EZ PULL SUBASSEMBLY SERVICE KIT |  |  | 29559-08TAG | 0        | 1 | 0 | 0 | 0 | 0 | 0 | 0 | 0 |
| 10  | 29559-09 TAG - EZ PULL SUBASSEMBLY SERVICE KIT |  |  | 29559-09TAG | 1        | 0 | 0 | 0 | 0 | 0 | 0 | 0 | 0 |

|   |                   |   |  |        |     |      |
|---|-------------------|---|--|--------|-----|------|
| 2018224                                 | A                 | SEE SHEET 1.  | 12/07/18   | ML     | JAJ | RSB  |
| ER NO.                                  | SYM               | REVISIONS   | DATE   | BY     | CHK | APPD |
| DRAWN: ML                               | DATE: 3/11/2018   |  | <b>HUTCHENS INDUSTRIES, INC.</b><br><b>SPRINGFIELD, MISSOURI</b> |        |     |      |
| CHECKED: JAJ                            | DATE: 10/3/2018   |   |  |        |     |      |
| APPD: RSB                               | DATE: 10/3/2018   |   |  |        |     |      |
| MFG APPL: N/A                           | DATE: XX/XX/XX    |   |  |        |     |      |
| ER: 2018037                             | DATE: 10/4/2018   |   |  |        |     |      |
| PROJ/REF NO.<br>20180400<br>20180400-01 | NEXT ASSY<br>NEXT | TITLE:<br><br>EZ PULL SUBASSEMBLY SERVICE KIT<br>FOR 18818-01 LOCK PIN              |  |        |     |      |
| SHEET 3 OF 3                            |                   | SIZE A  | DRAWING NO.: 29559   | REV. A |     |      |