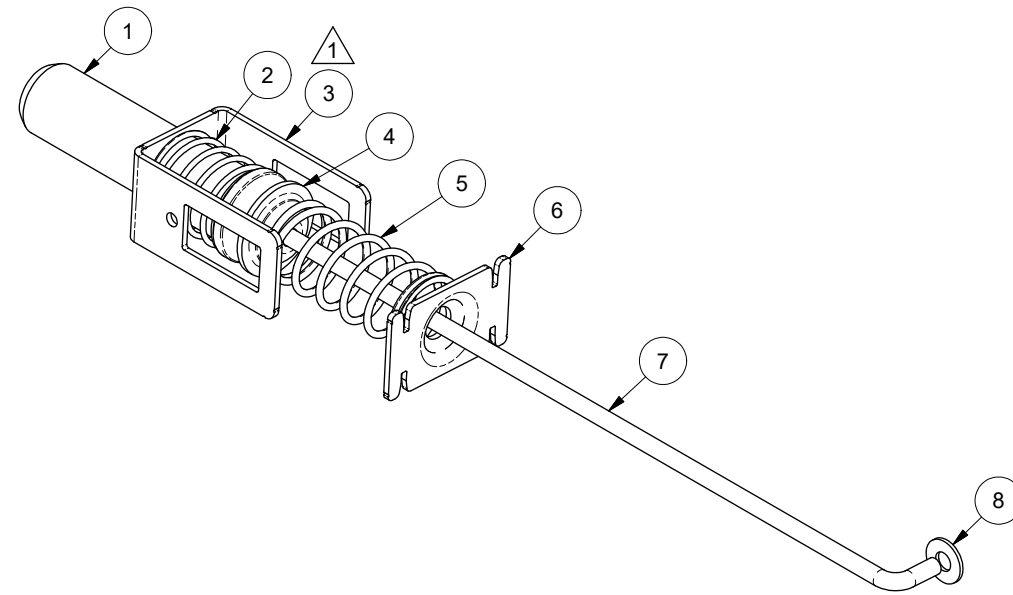
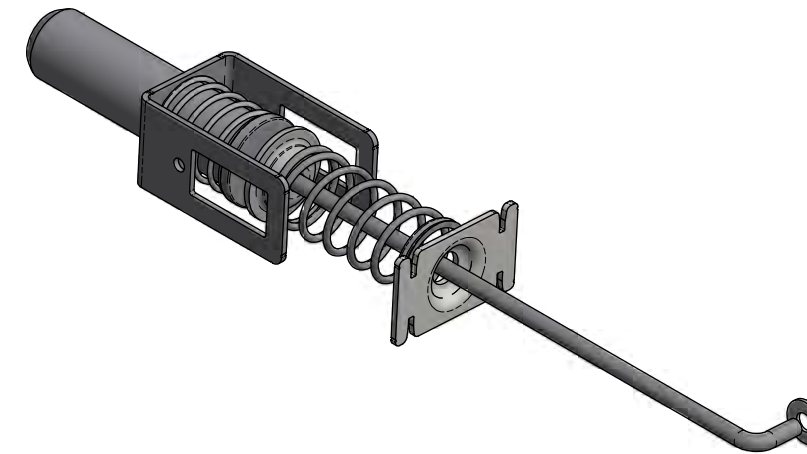


PART NUMBER	LINKAGE ROD LG	SLIDER MODEL	WEIGHT
29560-01	17.94	SERIES 10	5.76#
29560-02	13.63	SERIES 10	5.61#



EZ PULL SUBASSEMBLY SERVICE KIT NO.: 29560-01
 INSTALLATION PROCEDURE DRAWING NO.: 29676
 REF EZ PULL SUBASSEMBLY PART NO.: 25590-01



EZ PULL SUBASSEMBLY SERVICE KIT NO.: 29560-02
 INSTALLATION PROCEDURE DRAWING NO.: 29676
 REF EZ PULL SUBASSEMBLY PART NO.: 25590-03

2. PARTS SHALL BE SHIPPED UNASSEMBLED.

1. ITEM 3 SPRING CAGE SHALL BE WELDED ON TO THE TOWER GUSSET
 PRIOR TO ASSEMBLY. SEE INSTALLATION PROCEDURE DRAWING FOR DETAIL.

ER NO.	SYM	DATE	BY	CHK	APPD							
ER: 2018037		10/5/2018										
<table border="1"> <tr> <td> TOLERANCES (UNLESS OTHERWISE SPECIFIED) DECIMAL .X ± .1 DECIMAL .XX ± .06 DECIMAL .XXX ± .030 ANGULAR ± 1° HOLES: .50 DIA AND LESS: ± .007 .51 DIA AND GREATER: ± .01 REMOVE ALL SHARP BURRS & SHARP CORNERS THAT MIGHT AFFECT ASSEMBLY, APPEARANCE, OR OPERATION OF OUR PRODUCTS. </td> <td> DRAWN: ML CHECKED: JAJ APPROVED: RSB MFG APPL: N/A ER: 2018037 PROJECT OR FILE REFERENCE NO: PROJ#: 20180400 EPR#: 20180400-01 SCALE: D SIZE - HALF B SIZE - 1/4 </td> <td> DATE: 3/9/2018 DATE: 10/4/2018 DATE: 10/4/2018 DATE: XXXXXX DATE: 10/5/2018 </td> <td> HUTCH Hutchens Industries HUTCHENS INDUSTRIES, INC. SPRINGFIELD, MISSOURI </td> <td> TITLE: EZ PULL SUBASSEMBLY SERVICE KIT FOR SERIES 10 </td> <td> SHEET 1 OF 2 D 29560 </td> <td> REV. 1 OF 2 </td> </tr> </table>						TOLERANCES (UNLESS OTHERWISE SPECIFIED) DECIMAL .X ± .1 DECIMAL .XX ± .06 DECIMAL .XXX ± .030 ANGULAR ± 1° HOLES: .50 DIA AND LESS: ± .007 .51 DIA AND GREATER: ± .01 REMOVE ALL SHARP BURRS & SHARP CORNERS THAT MIGHT AFFECT ASSEMBLY, APPEARANCE, OR OPERATION OF OUR PRODUCTS.	DRAWN: ML CHECKED: JAJ APPROVED: RSB MFG APPL: N/A ER: 2018037 PROJECT OR FILE REFERENCE NO: PROJ#: 20180400 EPR#: 20180400-01 SCALE: D SIZE - HALF B SIZE - 1/4	DATE: 3/9/2018 DATE: 10/4/2018 DATE: 10/4/2018 DATE: XXXXXX DATE: 10/5/2018	HUTCH Hutchens Industries HUTCHENS INDUSTRIES, INC. SPRINGFIELD, MISSOURI	TITLE: EZ PULL SUBASSEMBLY SERVICE KIT FOR SERIES 10	SHEET 1 OF 2 D 29560	REV. 1 OF 2
TOLERANCES (UNLESS OTHERWISE SPECIFIED) DECIMAL .X ± .1 DECIMAL .XX ± .06 DECIMAL .XXX ± .030 ANGULAR ± 1° HOLES: .50 DIA AND LESS: ± .007 .51 DIA AND GREATER: ± .01 REMOVE ALL SHARP BURRS & SHARP CORNERS THAT MIGHT AFFECT ASSEMBLY, APPEARANCE, OR OPERATION OF OUR PRODUCTS.	DRAWN: ML CHECKED: JAJ APPROVED: RSB MFG APPL: N/A ER: 2018037 PROJECT OR FILE REFERENCE NO: PROJ#: 20180400 EPR#: 20180400-01 SCALE: D SIZE - HALF B SIZE - 1/4	DATE: 3/9/2018 DATE: 10/4/2018 DATE: 10/4/2018 DATE: XXXXXX DATE: 10/5/2018	HUTCH Hutchens Industries HUTCHENS INDUSTRIES, INC. SPRINGFIELD, MISSOURI	TITLE: EZ PULL SUBASSEMBLY SERVICE KIT FOR SERIES 10	SHEET 1 OF 2 D 29560	REV. 1 OF 2						

This confidential drawing is the property of Hutchens Industries, Hutchens Industries makes no warranties regarding the information on this document. Nothing herein may be transmitted or disclosed in whole or in part to other parties. The recipient of this drawing agrees not to use the information for manufacturing, nor will they modify, distribute, reverse engineer, or create derivative works based on the information contained on this print without the prior written permission of Hutchens Industries. The recipient agrees not to make copies of the document or reproduce in any manner the information in the document and to return it to Hutchens Industries upon request. Any use of this document is acceptance of the terms stated above.
 DRAWING NO.: 29560
 REV. 1 OF 2

USE WITH MASTER DRAWING :													
ASSEMBLY DESCRIPTION				ASSY NO.									
EZP SUBASSY SERVICE KIT		SERIES 10	-17.94 LG ROD	29560-01									
		SERIES 10	-13.63 LG ROD	29560-02									
ITEM	PART DESCRIPTION			PART NO.	QUANTITY								
1	LOCK PIN 6.30 LG			18818-01								1	1
2	PIN RETRACTION SPRING			18820-01								1	1
3	EZ PULL SPRING CAGE			27387-01								1	1
4	WASHER - SPCL			18815-01								1	1
5	PIN ENGAGEMENT SPRING			18819-01								1	1
6	SPRING CAGE PLATE FOR NO WELD CAGE			27386-01								1	1
7	LINKAGE ROD EZ PULL - 17.94 LG			23334-01								0	1
7	LINKAGE ROD EZ PULL - 13.63 LG			23334-27								1	0
8	3/8 FLAT WASHER			177-00								1	1
9	VCI TUBING 6 MIL X 8" WIDE			29870-99								1	1
10	29560-01 TAG - EZ PULL SUBASSEMBLY SERVICE KIT			29560-01TAG								0	1
11	29560-02 TAG - EZ PULL SUBASSEMBLY SERVICE KIT			29560-02TAG								1	0

ER NO.	SYM	REVISIONS			DATE	BY	CHK	APPD
DRAWN:	ML	DATE:	3/12/2018					
CHECKED:	JAJ	DATE:	10/4/2018					
APPD:	RSB	DATE:	10/4/2018					
MFG APPL:	N/A	DATE:	XX/XX/XX					
ER:	2018037	DATE:	10/5/2018					
PROJ/REF NO.	20180400 20180400-01	NEXT ASSY	NEXT		TITLE: EZ PULL SUBASSEMBLY SERVICE KIT FOR SERIES 10			
SHEET 2 OF 2		SIZE A	DRAWING NO.: 29560		REV. -			



HUTCHENS INDUSTRIES, INC.
SPRINGFIELD, MISSOURI