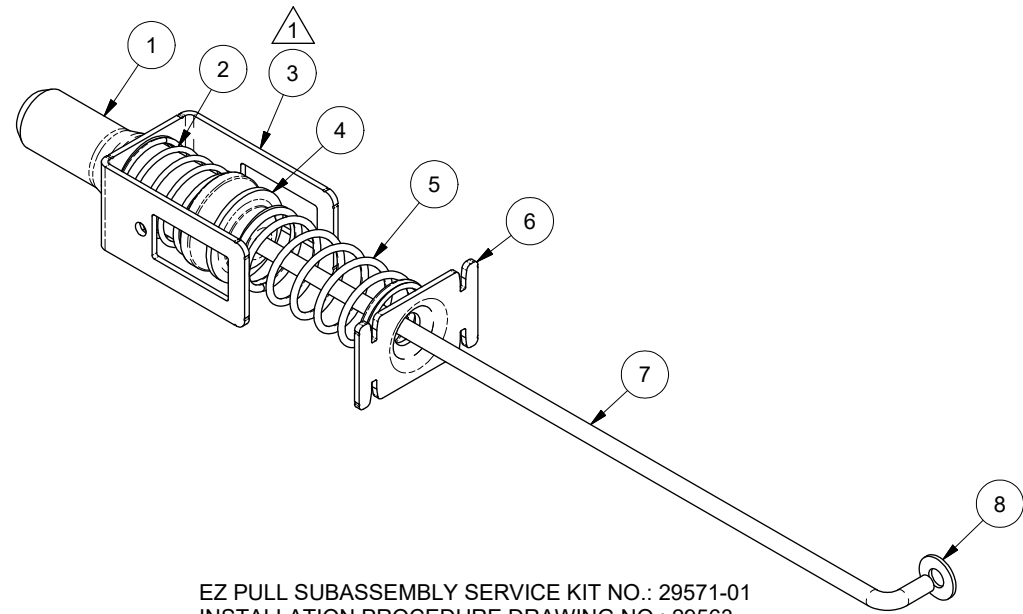
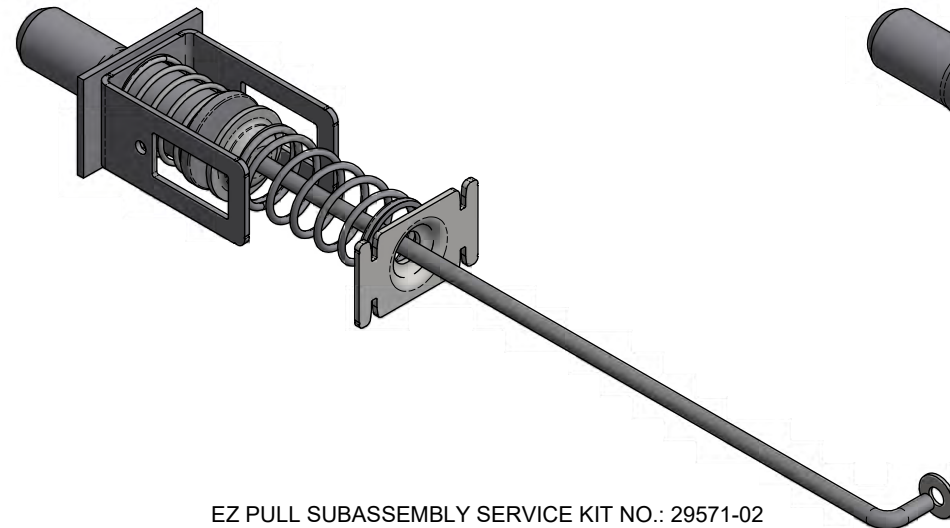


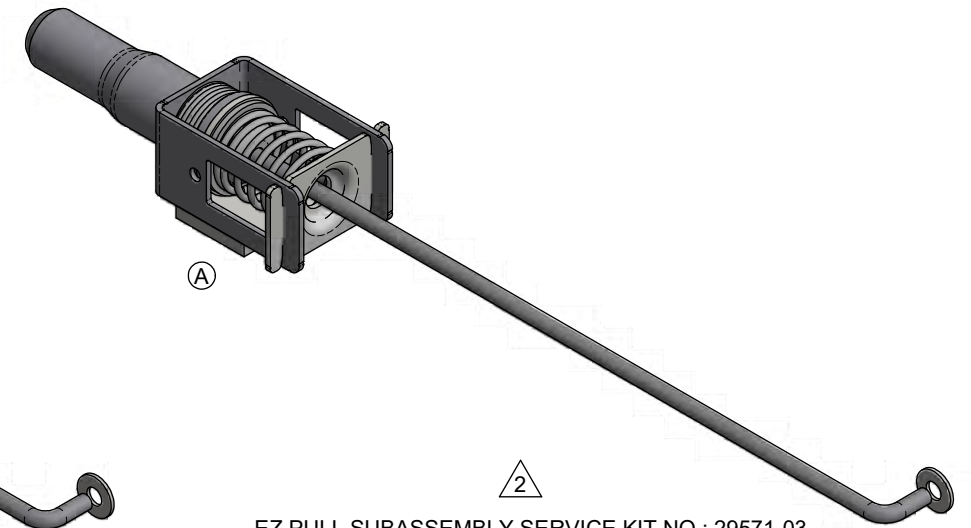
PART NUMBER	LINKAGE ROD LG	SLIDER MODEL	WEIGHT
29571-01	18.64	MERITOR RHP 11	4.74#
29571-02	18.64	MERITOR RHP 11	5.05#
29571-03	18.64	NEWAY NSB SLIDES	5.35#
29571-04	18.64	DANA ADVANTAGE SLIDER REAR LH	6.84#
29571-05	18.64	DANA ADVANTAGE SLIDER REAR RH	6.84#
29571-06	18.64	DANA ADVANTAGE SLIDER FRONT LH	6.34#
29571-07	18.64	DANA ADVANTAGE SLIDER FRONT RH	6.34#



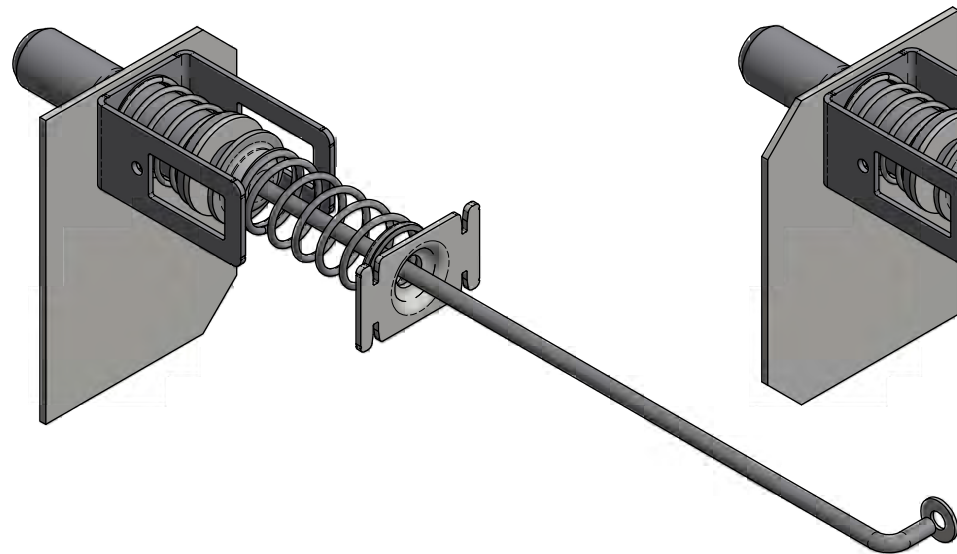
EZ PULL SUBASSEMBLY SERVICE KIT NO.: 29571-01  
 INSTALLATION PROCEDURE DRAWING NO.: 29563  
 REF EZ PULL SUBASSEMBLY PART NO.: 20564-01



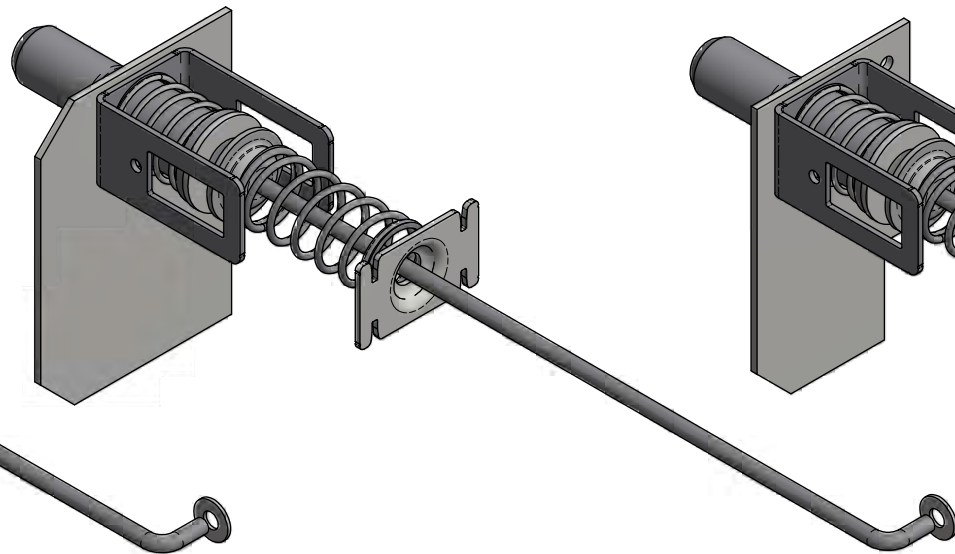
EZ PULL SUBASSEMBLY SERVICE KIT NO.: 29571-02  
 INSTALLATION PROCEDURE DRAWING NO.: 29718  
 REF EZ PULL SUBASSEMBLY PART NO.: 20565-01



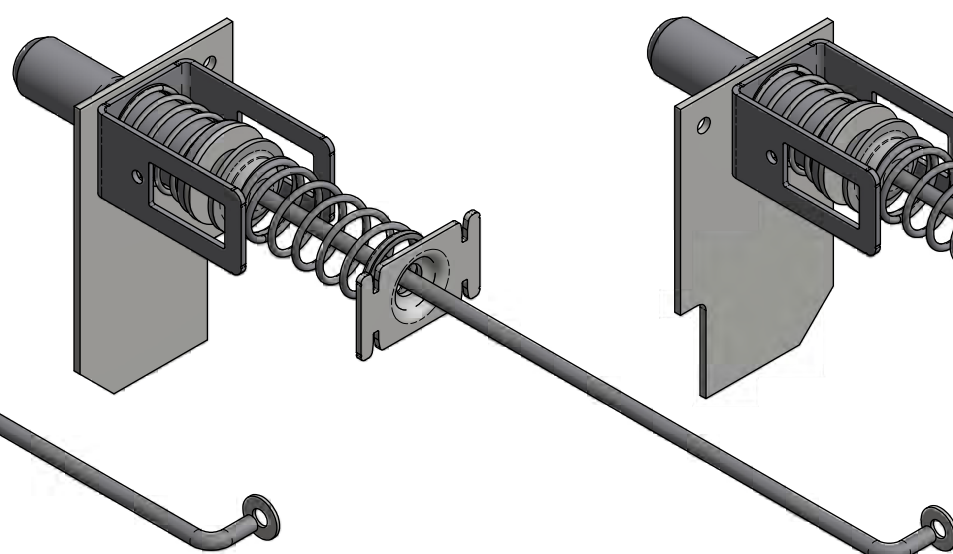
EZ PULL SUBASSEMBLY SERVICE KIT NO.: 29571-03  
 INSTALLATION PROCEDURE DRAWING NO.: 29561  
 REF EZ PULL SUBASSEMBLY PART NO.: 19395-03/-04



EZ PULL SUBASSEMBLY SERVICE KIT NO.: 29571-04  
 INSTALLATION PROCEDURE DRAWING NO.: 29701  
 REF EZ PULL SUBASSEMBLY PART NO.: 23757-01



EZ PULL SUBASSEMBLY SERVICE KIT NO.: 29571-05  
 INSTALLATION PROCEDURE DRAWING NO.: 29701  
 REF EZ PULL SUBASSEMBLY PART NO.: 23757-02



EZ PULL SUBASSEMBLY SERVICE KIT NO.: 29571-06  
 INSTALLATION PROCEDURE DRAWING NO.: 29713  
 REF EZ PULL SUBASSEMBLY PART NO.: 23794-01



EZ PULL SUBASSEMBLY SERVICE KIT NO.: 29571-07  
 INSTALLATION PROCEDURE DRAWING NO.: 29713  
 REF EZ PULL SUBASSEMBLY PART NO.: 23794-02

2. ASSEMBLE KIT 29571-03 PRIOR SHIPPING.  
 ALL OTHER KITS SHALL BE SHIPPED UNASSEMBLED.

1. ITEM 3 SPRING CAGE SHALL BE WELDED ON TO THE CROSSMEMBER,  
 SUPPORT PLATE OR SIDERAIL PRIOR TO ASSEMBLY. SEE INSTALLATION  
 PROCEDURE DRAWING FOR DETAIL.

NEXT ASSY: NEXT  
 TOLERANCES  
 (UNLESS OTHERWISE SPECIFIED)  
 DECIMAL .X ± .1  
 DECIMAL .XX ± .06  
 DECIMAL .XXX ± .030  
 ANGULAR ± 1°  
 HOLES:  
 .50 DIA AND LESS: ± .007  
 .51 DIA AND GREATER: ± .01  
 REMOVE ALL SHARP BURRS & SHARP  
 CORNERS THAT MIGHT AFFECT  
 ASSEMBLY, APPEARANCE, OR  
 OPERATION OF OUR PRODUCTS.


2018224	A	PICTORIALLY UPDATED ITEM 3 CAGE FOR 29571-03.	12/18	ML	JAJ	RSB
ER NO.	SYM	REVISIONS	DATE	BY	CHK	APPD
DRAWN: ML	DATE: 3/9/2018	 HUTCHENS INDUSTRIES, INC. SPRINGFIELD, MISSOURI				
CHECKED: JAJ	DATE: 10/3/2018					
APPROVED: RSB	DATE: 10/3/2018					
MFG APPL: N/A	DATE: XX/XX/XX					
ER: 2018037	DATE: 10/4/2018	PROJECT OR FILE REFERENCE NO.		TITLE:		
PROJ#: 20180400		EPR#: 20180400-01		EZ PULL SUBASSEMBLY SERVICE KIT FOR 19144-01 LOCK PIN		
SCALE:		D SIZE - HALF	SHEET 1 OF 2	D	DRAWING NO.:	REV.
B SIZE - 1/4					29571	A

This confidential drawing is the property of Hutchens Industries, Hutchens Industries makes no warranties regarding the information on this document. Nothing herein may be transmitted or disclosed in whole or in part to other parties. The recipient of this drawing agrees not to use the information for manufacturing, nor will they modify, distribute, reverse engineer, or create derivative works based on the information contained on this print without the prior written permission of Hutchens Industries. The recipient agrees not to make copies of the document or reproduce in any manner the information in the document and to return it to Hutchens Industries upon request. Any use of this document is acceptance of the terms stated above.  
 DRAWING NO. 29571  
 REV. A  
 1 OF 2

USE WITH MASTER DRAWING :	
ASSEMBLY DESCRIPTION	ASSY NO.
EZP SUBASSY SERVICE KIT MERITOR RHP 11 -18.64 LG ROD	29571-01
MERITOR RHP 11 -18.64 LG ROD	29571-02
NEWAY NSB SLIDES -18.64 LG ROD	29571-03
DANA ADVANTAGE SLIDER REAR LH -18.64 LG ROD	29571-04
DANA ADVANTAGE SLIDER REAR RH -18.64 LG ROD	29571-05
DANA ADVANTAGE SLIDER FRONT LH -18.64 LG ROD	29571-06
DANA ADVANTAGE SLIDER FRONT RH -18.64 LG ROD	29571-07

ITEM	PART DESCRIPTION	PART NO.	QUANTITY									
1	LOCK PIN 5.60 LG	19144-01				0	0	0	0	0	1	1
1	EZP 2 LOCK PIN B STYLE - W/.13 SHIM	29562-01				1	1	1	1	1	0	0
2	PIN RETRACTION SPRING	18820-01				1	1	1	1	1	1	1
3	EZ PULL SPRING CAGE	27388-01				0	0	0	0	0	0	1
3	SPRING CAGE - W/.173 SHIM	29572-01				0	0	0	0	0	1	0
3	EZP CAGE NEWAY NSB SLIDE	29678-02				0	0	0	0	1	0	0
3	DANA SPRING CAGE PLATE ASSEMBLY REAR - LH	29704-01				0	0	0	1	0	0	0
3	DANA SPRING CAGE PLATE ASSEMBLY REAR - RH	29704-02				0	0	1	0	0	0	0
3	DANA SPRING CAGE PLATE ASSEMBLY FRONT - LH	29714-01				0	1	0	0	0	0	0
3	DANA SPRING CAGE PLATE ASSEMBLY FRONT - RH	29714-02				1	0	0	0	0	0	0
4	WASHER - SPCL	18815-01				1	1	1	1	1	1	1
5	PIN ENGAGEMENT SPRING	18819-01				1	1	1	1	1	1	1
6	SPRING CAGE PLATE FOR NO WELD CAGE	27386-01				1	1	1	1	1	1	1
7	LINKAGE ROD EZ PULL - 18.64 LG	23334-03				1	1	1	1	1	1	1
8	3/8 FLAT WASHER	177-00				1	1	1	1	1	1	1
9	VCI TUBING 6 MIL X 8" WIDE	29870-99				1	1	1	1	1	1	1
10	29571-01 TAG - EZ PULL SUBASSEMBLY SERVICE KIT	29571-01TAG				0	0	0	0	0	0	1
11	29571-02 TAG - EZ PULL SUBASSEMBLY SERVICE KIT	29571-02TAG				0	0	0	0	0	1	0
12	29571-03 TAG - EZ PULL SUBASSEMBLY SERVICE KIT	29571-03TAG				0	0	0	0	1	0	0
13	29571-04 TAG - EZ PULL SUBASSEMBLY SERVICE KIT	29571-04TAG				0	0	0	1	0	0	0
14	29571-05 TAG - EZ PULL SUBASSEMBLY SERVICE KIT	29571-05TAG				0	0	1	0	0	0	0
15	29571-06 TAG - EZ PULL SUBASSEMBLY SERVICE KIT	29571-06TAG				0	1	0	0	0	0	0
16	29571-07 TAG - EZ PULL SUBASSEMBLY SERVICE KIT	29571-07TAG				1	0	0	0	0	0	0

2018224	A	SEE SHEET 1.	12/06/18	ML	JAJ	RSB
ER NO.	SYM	REVISIONS	DATE	BY	CHK	APPD

DRAWN: ML	DATE: 3/11/2018		<b>HUTCHENS INDUSTRIES, INC.</b> SPRINGFIELD, MISSOURI
CHECKED: JAJ	DATE: 10/3/2018		
APPD: RSB	DATE: 10/3/2018		
MFG APPL: N/A	DATE: XX/XX/XX		
ER: 2018037	DATE: 10/4/2018		

PROJ/REF NO. 20180400 20180400-01	NEXT ASSY NEXT	TITLE:  EZ PULL SUBASSEMBLY SERVICE KIT FOR 19144-01 LOCK PIN
SHEET 2 OF 2		SIZE A DRAWING NO.: 29571 REV. A