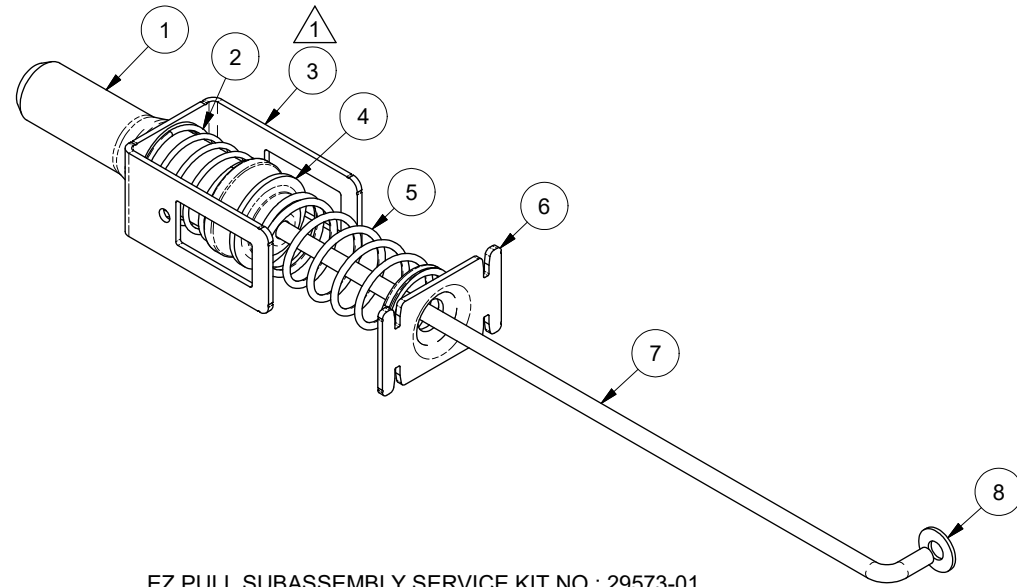
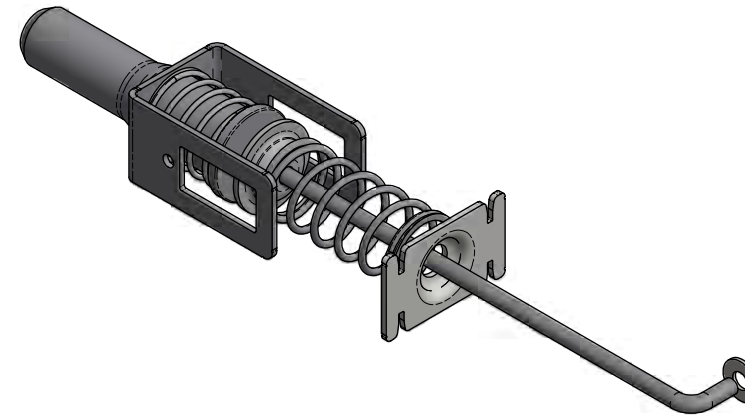


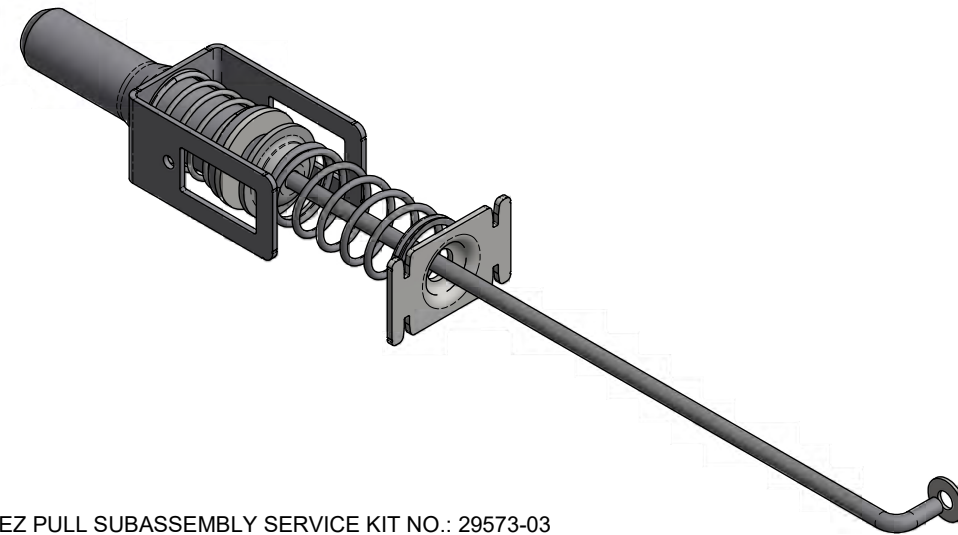
PART NUMBER	LINKAGE ROD LG	SLIDER MODEL	WEIGHT
29573-01	17.94	H9851/H9861	5.00#
29573-02	12.06	H9851/H9861	4.82#
29573-03	17.94	DANA AIR RIDE	5.13#
29573-04	12.06	DANA AIR RIDE	4.94#



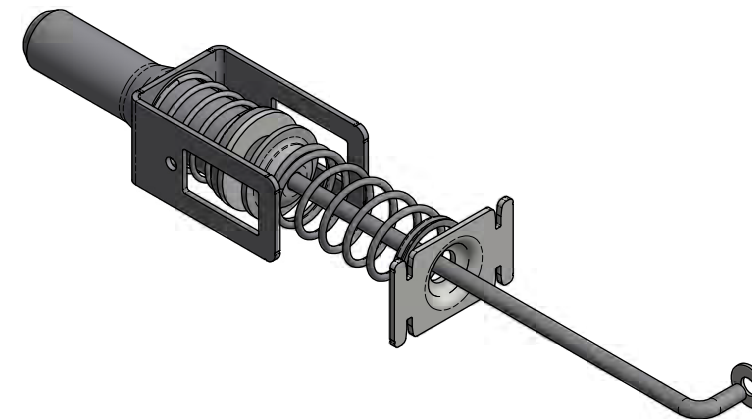
EZ PULL SUBASSEMBLY SERVICE KIT NO.: 29573-01
 INSTALLATION PROCEDURE DRAWING NO.: 29685
 REF EZ PULL SUBASSEMBLY PART NO.: 20635-02



EZ PULL SUBASSEMBLY SERVICE KIT NO.: 29573-02
 INSTALLATION PROCEDURE DRAWING NO.: 29685
 REF EZ PULL SUBASSEMBLY PART NO.: 20635-01



EZ PULL SUBASSEMBLY SERVICE KIT NO.: 29573-03
 INSTALLATION PROCEDURE DRAWING NO.: 29681
 REF EZ PULL SUBASSEMBLY PART NO.: 21007-03/-04



EZ PULL SUBASSEMBLY SERVICE KIT NO.: 29573-04
 INSTALLATION PROCEDURE DRAWING NO.: 29681
 REF EZ PULL SUBASSEMBLY PART NO.: 21007-01/-02

2. PARTS SHALL BE SHIPPED UNASSEMBLED.

1. ITEM 3 SPRING CAGE SHALL BE WELDED ON TO THE SUPPORT PLATE PRIOR TO ASSEMBLY. SEE INSTALLATION PROCEDURE DRAWING FOR DETAIL.

ER NO.	SYM	DATE	BY	CHK	APPD
29573		3/9/2018			
		10/4/2018			
		10/4/2018			
		10/5/2018			

NEXT ASSY: NEXT TOLERANCES (UNLESS OTHERWISE SPECIFIED) DECIMAL .X ± .1 DECIMAL .XX ± .06 DECIMAL .XXX ± .030 ANGULAR ± 1° HOLES: .50 DIA AND LESS: ± .007 .51 DIA AND GREATER: ± .01 REMOVE ALL SHARP BURRS & SHARP CORNERS THAT MIGHT AFFECT ASSEMBLY, APPEARANCE, OR OPERATION OF OUR PRODUCTS.	DRAWN: ML CHECKED: JAJ APPROVED: RSB MFG APPL: N/A ER: 2018037 PROJECT OR FILE REFERENCE NO.: PROJ#: 20180400 EPR#: 20180400-01 SCALE: D SIZE - HALF B SIZE - 1/4	HUTCHENS INDUSTRIES, INC. SPRINGFIELD, MISSOURI TITLE: EZ PULL SUBASSEMBLY SERVICE KIT FOR 19144-02 LOCK PIN	SHEET 1 OF 2 D 29573	1 OF 2
---	---	--	----------------------------	--------

This confidential drawing is the property of Hutchens Industries, Hutchens Industries makes no warranties regarding the information on this document. Nothing herein may be transmitted or disclosed in whole or in part to other parties. The recipient of this drawing agrees not to use the information for manufacturing, nor will they modify, distribute, reverse engineer, or create derivative works based on the information contained on this part without the prior written permission of Hutchens Industries. The recipient agrees not to make copies of the document or reproduce in any manner the information in the document and to return it to Hutchens Industries upon request. Any use of this document is acceptance of the terms stated above.
 DRAWING NO.: 29573
 REV: 1 OF 2

USE WITH MASTER DRAWING :													
ASSEMBLY DESCRIPTION				ASSY NO.									
EZP SUBASSY SERVICE KIT		H9851/H9861	-17.94 LG ROD	29573-01									
		H9851/H9861	-12.06 LG ROD	29573-02									
		DANA AIR RIDE	-17.94 LG ROD	29573-03									
		DANA AIR RIDE	-12.06 LG ROD	29573-04									
ITEM	PART DESCRIPTION			PART NO.	QUANTITY								
1	LOCK PIN 6.30 LG			19144-02						0	0	1	1
1	EZP 2 LOCK PIN 6.30 LG B STYLE - W/.13 SHIM			29815-01						1	1	0	0
2	PIN RETRACTION SPRING			18820-01						1	1	1	1
3	EZ PULL SPRING CAGE			27388-01						1	1	1	1
4	WASHER - SPCL			18815-01						1	1	1	1
5	PIN ENGAGEMENT SPRING			18819-01						1	1	1	1
6	SPRING CAGE PLATE FOR NO WELD CAGE			27386-01						1	1	1	1
7	LINKAGE ROD EZ PULL - 17.94 LG			23334-01						0	1	0	1
7	LINKAGE ROD EZ PULL - 12.06 LG			23334-07						1	0	1	0
8	3/8 FLAT WASHER			177-00						1	1	1	1
9	VCI TUBING 6 MIL X 8" WIDE			29870-99						1	1	1	1
10	29573-01 TAG - EZ PULL SUBASSEMBLY SERVICE KIT			29573-01TAG						0	0	0	1
11	29573-02 TAG - EZ PULL SUBASSEMBLY SERVICE KIT			29573-02TAG						0	0	1	0
12	29573-03 TAG - EZ PULL SUBASSEMBLY SERVICE KIT			29573-03TAG						0	1	0	0
13	29573-04 TAG - EZ PULL SUBASSEMBLY SERVICE KIT			29573-04TAG						1	0	0	0

ER NO.	SYM	REVISIONS			DATE	BY	CHK	APPD
DRAWN:	ML	DATE: 3/12/2018						
CHECKED:	JAJ	DATE: 10/4/2018						
APPD:	RSB	DATE: 10/4/2018						
MFG APPL:	N/A	DATE: XX/XX/XX						
ER:	2018037	DATE: 10/5/2018						
PROJ/REF NO.	20180400 20180400-01	NEXT ASSY NEXT	TITLE: EZ PULL SERVICE SUBASSEMBLY KIT FOR 19144-02 LOCK PIN					
SHEET 2 OF 2		SIZE A	DRAWING NO.: 29573		REV. -			



HUTCHENS INDUSTRIES, INC.
SPRINGFIELD, MISSOURI