



# Hutchens Industries

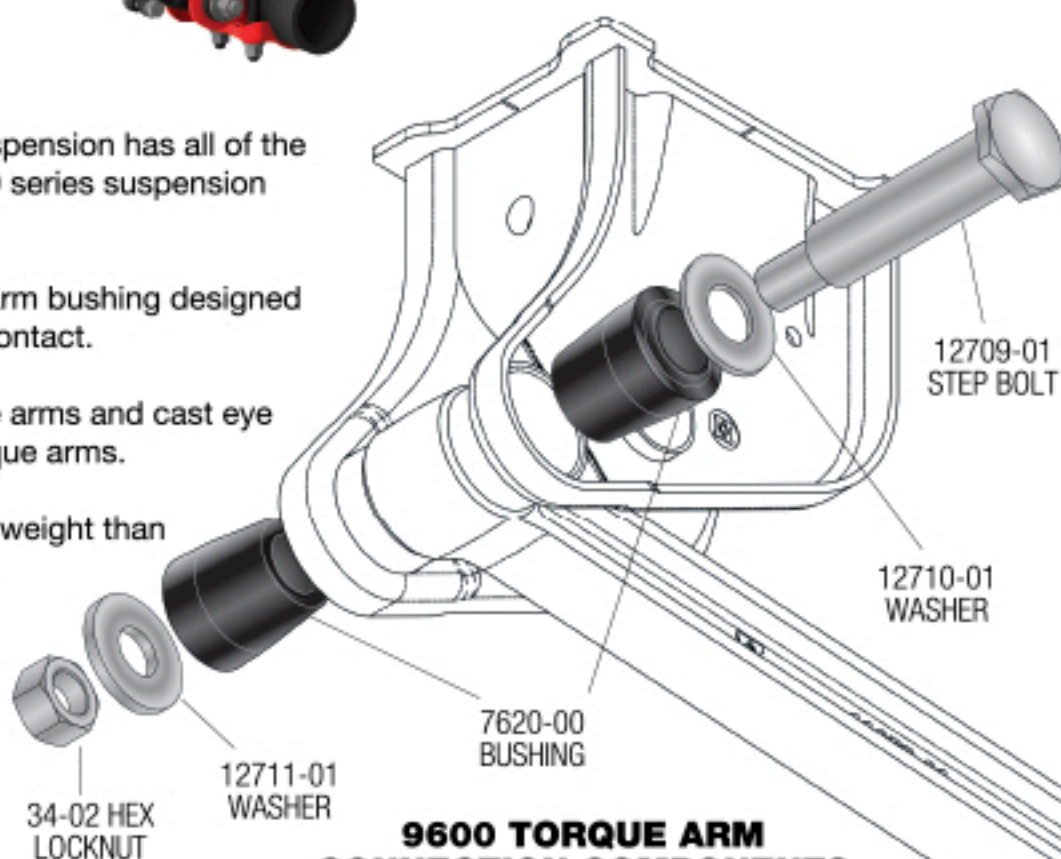
The Difference is Durability. The Quality is Hutchens.

## 9600 SERIES



The Hutchens 9600 series suspension has all of the benefits of the Hutchens 9700 series suspension plus these added features:

- Two piece tapered torque arm bushing designed to prevent metal to metal contact.
- Cast non-adjustable torque arms and cast eye ends on the adjustable torque arms.
- Less expensive and lighter weight than similar competitor models.



### 9600 TORQUE ARM CONNECTION COMPONENTS

**FOR MORE INFORMATION** on the advantages of the Hutchens Industries 9600 Series, contact us at:

**(800) 654-8824**