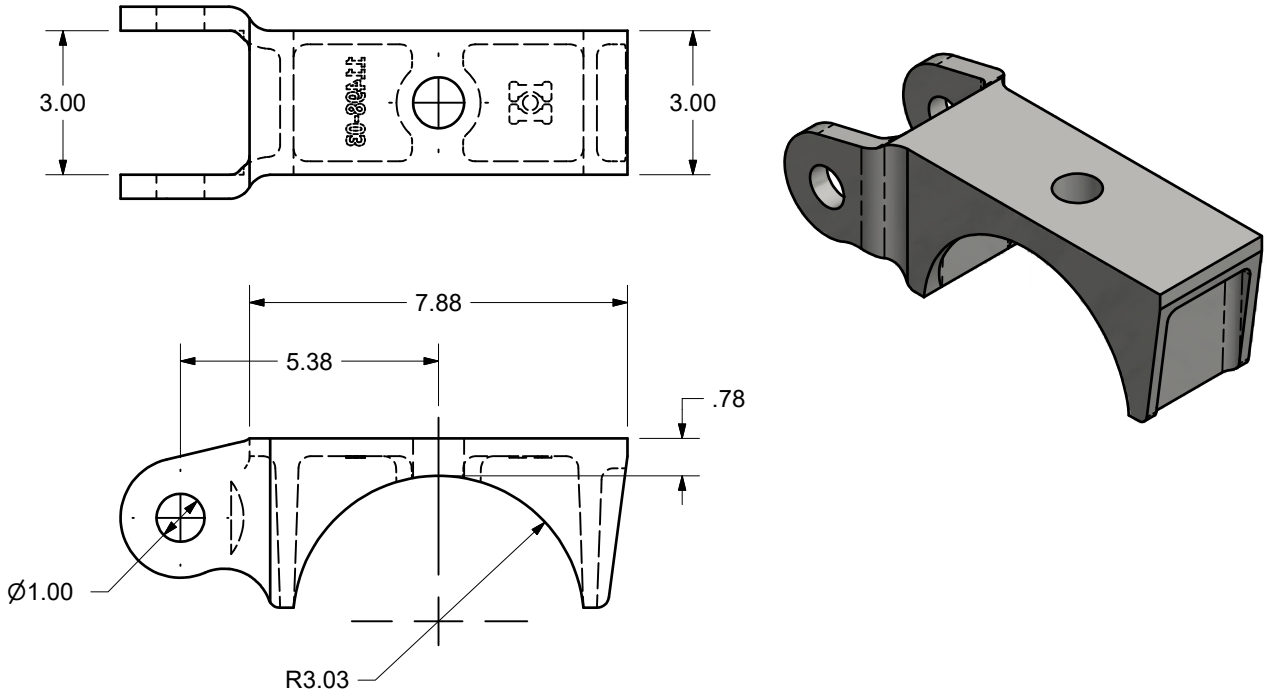


HUTCHENS INDUSTRIES INC.

OVERSLUNG SPRING SEAT IDENTIFICATION

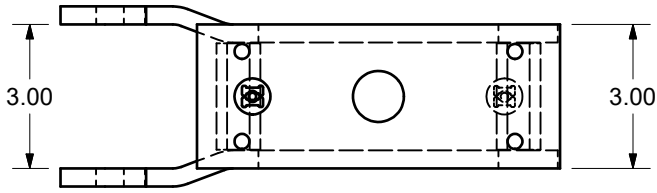


PART NO.	SUSPENSION	AXLE SIZE	SEAT HEIGHT
11498-03	9700	6" RD	.75

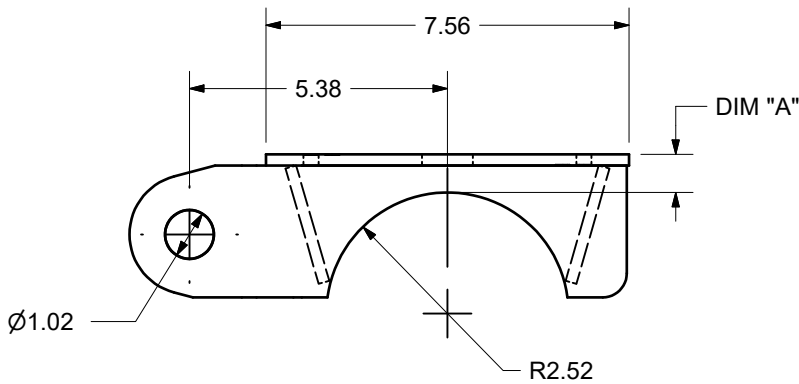
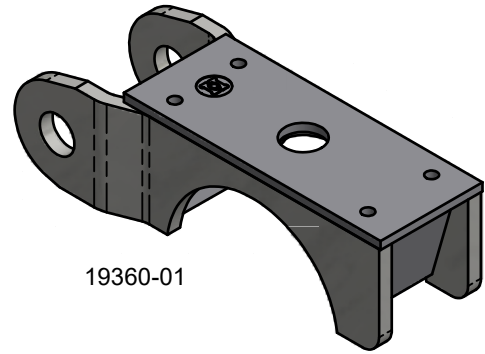
SPRING SEAT IDENTIFICATION OVERSLUNG SEATS	ER: 2022090	REV: -	SHEET: 1 OF 16
		REV DATE: XX/XX/XX	
	PROJ#: 20200200	REV ER: REV ER NO.	DRAWING NO.: 32067

HUTCHENS INDUSTRIES INC.

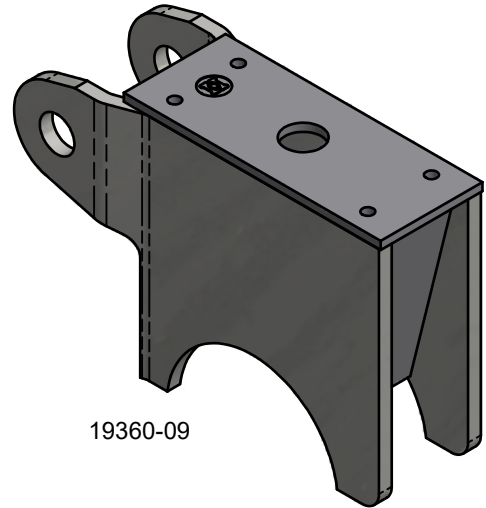
OVERSLUNG SPRING SEAT IDENTIFICATION



19360-01



19360-09

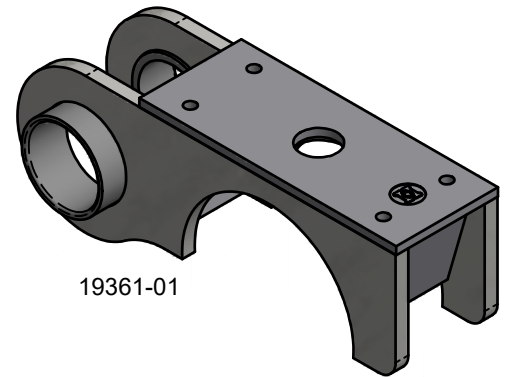
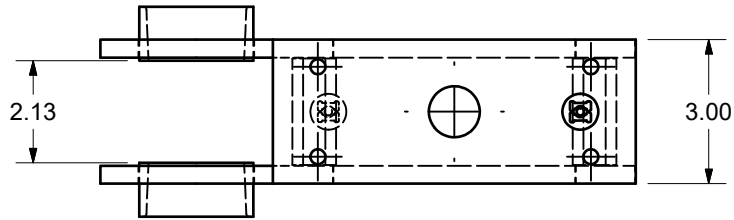


PART NO.	SUSPENSION	AXLE SIZE	DIM "A"	SEAT HEIGHT
19360-01	9700	5" RD	.79	.75
19360-02	9700	5" RD	1.29	1.25
19360-03	9700	5" RD	1.79	1.75
19360-04	9700	5" RD	2.29	2.25
19360-05	9700	5" RD	2.79	2.75
19360-06	9700	5" RD	3.29	3.25
19360-07	9700	5" RD	3.79	3.75
19360-08	9700	5" RD	4.29	4.25
19360-09	9700	5" RD	4.79	4.75

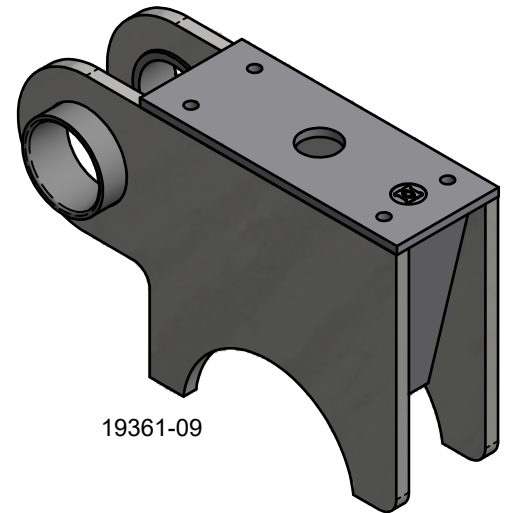
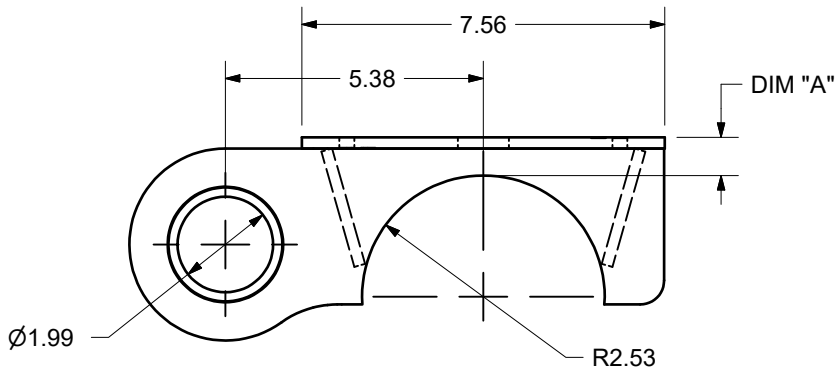
SPRING SEAT IDENTIFICATION OVERSLUNG SEATS	ER: 2022090	REV: -	SHEET: 2 OF 16
		REV DATE: XX/XX/XX	
	PROJ#: 20200200	REV ER: REV ER NO.	DRAWING NO.: 32067

HUTCHENS INDUSTRIES INC.

OVERSLUNG SPRING SEAT IDENTIFICATION



19361-01



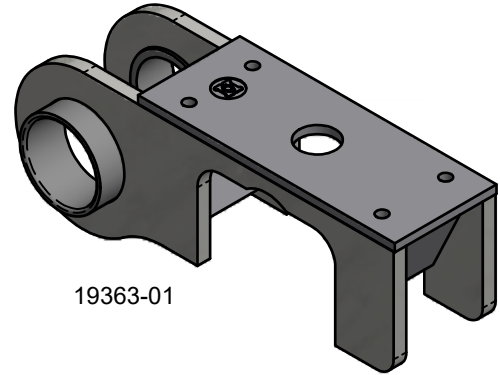
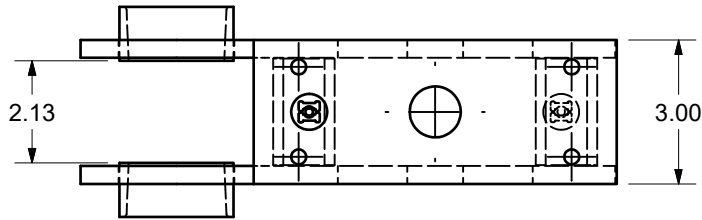
19361-09

PART NO.	SUSPENSION	AXLE SIZE	DIM "A"	SEAT HEIGHT
19361-01	9600	5" RD	.79	.75
19361-02	9600	5" RD	1.29	1.25
19361-03	9600	5" RD	1.79	1.75
19361-04	9600	5" RD	2.29	2.25
19361-05	9600	5" RD	2.79	2.75
19361-06	9600	5" RD	3.29	3.25
19361-07	9600	5" RD	3.79	3.75
19361-08	9600	5" RD	4.29	4.25
19361-09	9600	5" RD	4.79	4.75

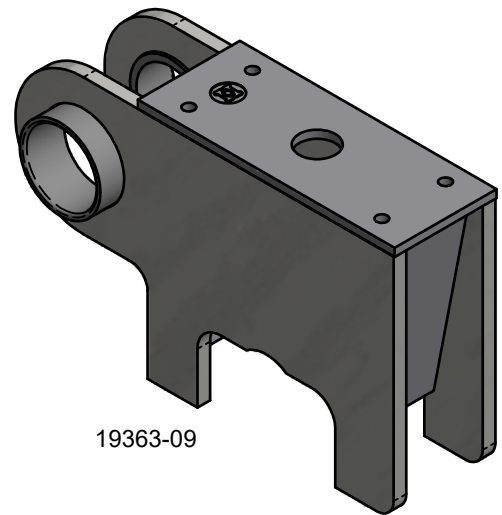
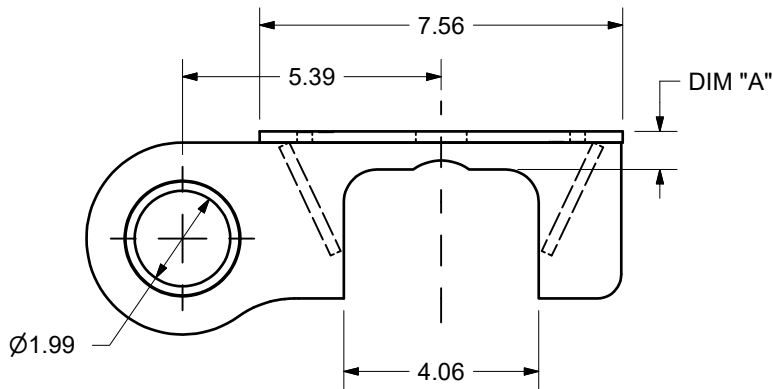
SPRING SEAT IDENTIFICATION OVERSLUNG SEATS	ER: 2022090	REV: - REV DATE: XX/XX/XX	SHEET: 3 OF 16 DRAWING NO.: 32067
	PROJ#: 20200200	REV ER: REV ER NO.	

HUTCHENS INDUSTRIES INC.

OVERSLUNG SPRING SEAT IDENTIFICATION



19363-01



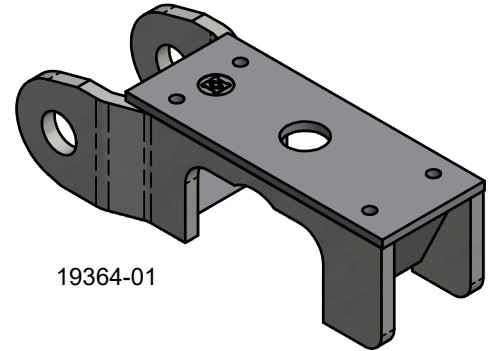
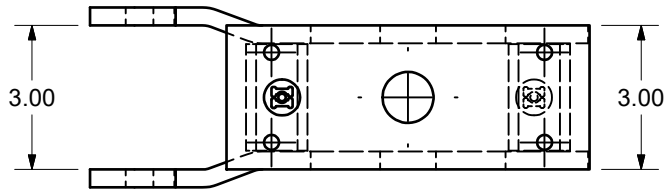
19363-09

PART NO.	SUSPENSION	AXLE SIZE	DIM "A"	SEAT HEIGHT
19363-01	9600	4" X 6"	.79	.75
19363-02	9600	4" X 6"	1.29	1.25
19363-03	9600	4" X 6"	1.79	1.75
19363-04	9600	4" X 6"	2.29	2.25
19363-05	9600	4" X 6"	2.79	2.75
19363-06	9600	4" X 6"	3.29	3.25
19363-07	9600	4" X 6"	3.79	3.75
19363-08	9600	4" X 6"	4.29	4.25
19363-09	9600	4" X 6"	4.79	4.75

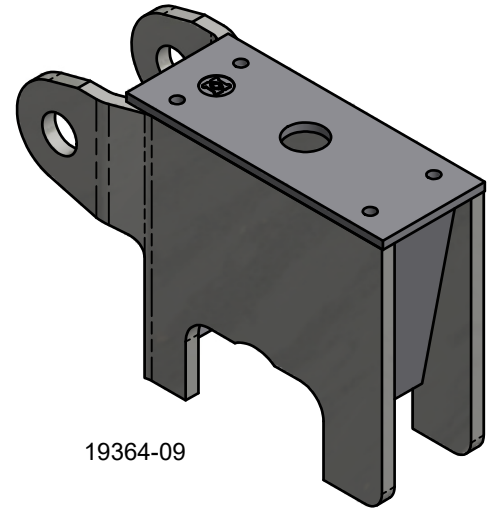
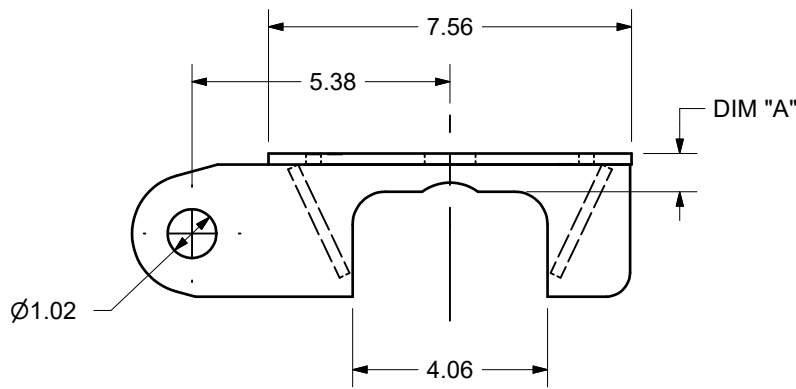
SPRING SEAT IDENTIFICATION OVERSLUNG SEATS	ER: 2022090	REV: - REV DATE: XX/XX/XX	SHEET: 4 OF 16 DRAWING NO.: 32067
	PROJ#: 20200200	REV ER: REV ER NO.	

HUTCHENS INDUSTRIES INC.

OVERSLUNG SPRING SEAT IDENTIFICATION



19364-01



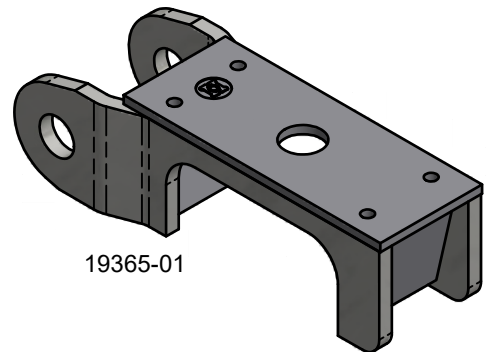
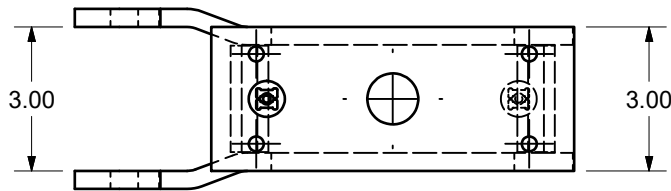
19364-09

PART NO.	SUSPENSION	AXLE SIZE	DIM "A"	SEAT HEIGHT
19364-01	9700	4" X 6"	.79	.75
19364-02	9700	4" X 6"	1.29	1.25
19364-03	9700	4" X 6"	1.79	1.75
19364-04	9700	4" X 6"	2.29	2.25
19364-05	9700	4" X 6"	2.79	2.75
19364-06	9700	4" X 6"	3.29	3.25
19364-07	9700	4" X 6"	3.79	3.75
19364-08	9700	4" X 6"	4.29	4.25
19364-09	9700	4" X 6"	4.79	4.75

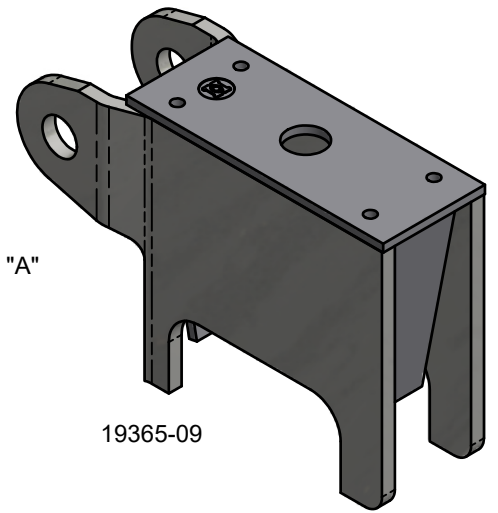
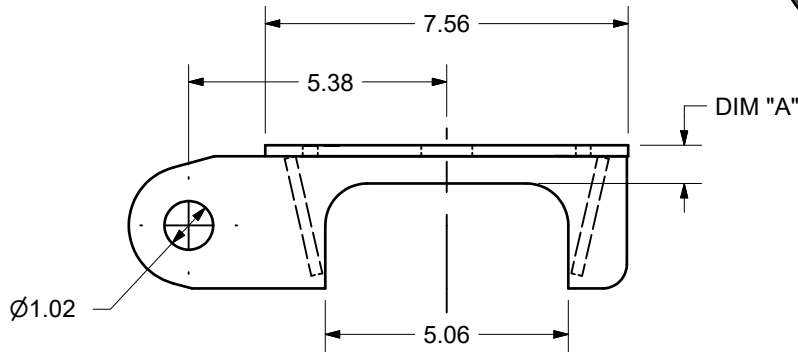
SPRING SEAT IDENTIFICATION OVERSLUNG SEATS	ER: 2022090	REV: - REV DATE: XX/XX/XX	SHEET: 5 OF 16 DRAWING NO.: 32067
	PROJ#: 20200200	REV ER: REV ER NO.	

HUTCHENS INDUSTRIES INC.

OVERSLUNG SPRING SEAT IDENTIFICATION



19365-01



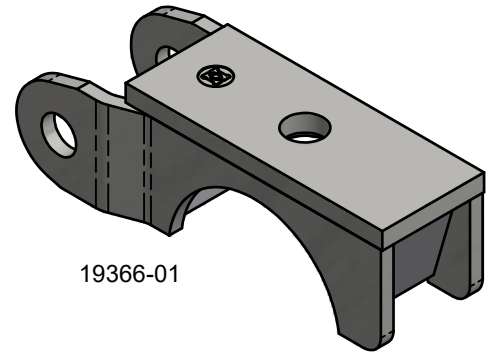
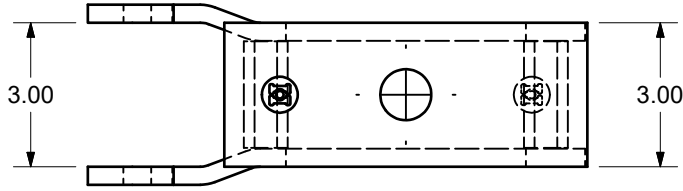
19365-09

PART NO.	SUSPENSION	AXLE SIZE	DIM "A"	SEAT HEIGHT
19365-01	9700	5" SQ	.79	.75
19365-02	9700	5" SQ	1.29	1.25
19365-03	9700	5" SQ	1.79	1.75
19365-04	9700	5" SQ	2.29	2.25
19365-05	9700	5" SQ	2.79	2.75
19365-06	9700	5" SQ	3.29	3.25
19365-07	9700	5" SQ	3.79	3.75
19365-08	9700	5" SQ	4.29	4.25
19365-09	9700	5" SQ	4.79	4.75

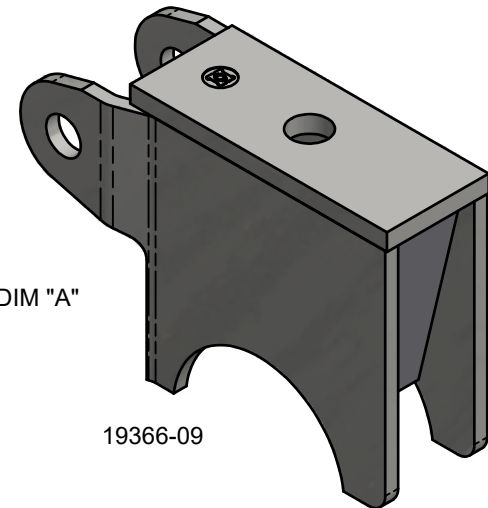
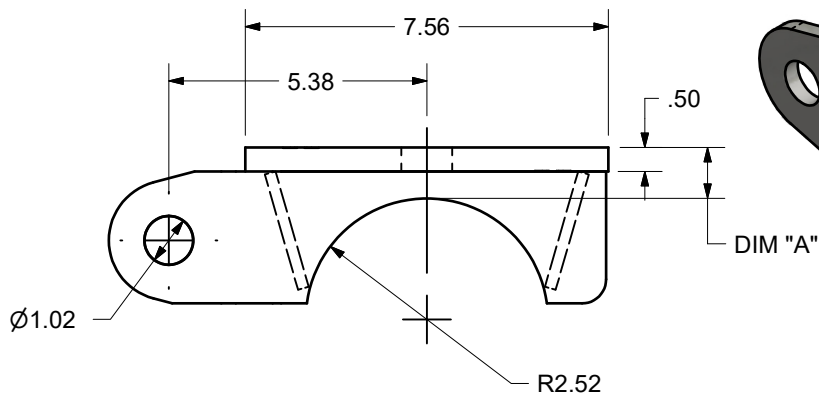
SPRING SEAT IDENTIFICATION OVERSLUNG SEATS	ER: 2022090	REV: -	SHEET: 6 OF 16
	PROJ#: 20200200	REV DATE: XX/XX/XX	
		REV ER: REV ER NO.	DRAWING NO.: 32067

HUTCHENS INDUSTRIES INC.

OVERSLUNG SPRING SEAT IDENTIFICATION



19366-01



19366-09

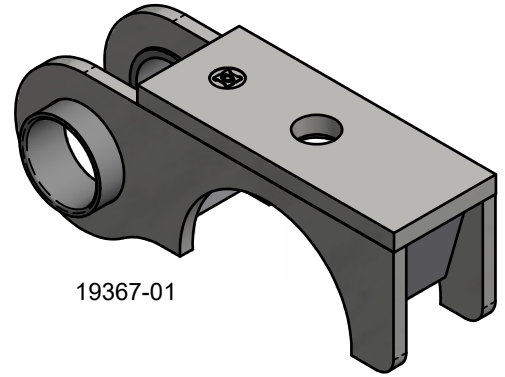
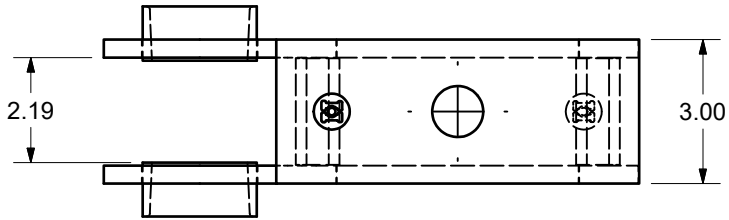
*HEAVY DUTY SPRING SEAT WITH .50 TOP PLATE

PART NO.	SUSPENSION	AXLE SIZE	DIM "A"	SEAT HEIGHT
19366-01	9700	5" RD	1.06	1.00
19366-02	9700	5" RD	1.56	1.50
19366-03	9700	5" RD	2.06	2.00
19366-04	9700	5" RD	2.56	2.50
19366-05	9700	5" RD	3.06	3.00
19366-06	9700	5" RD	3.56	3.50
19366-07	9700	5" RD	4.06	4.00
19366-08	9700	5" RD	4.56	4.50
19366-09	9700	5" RD	5.06	5.00

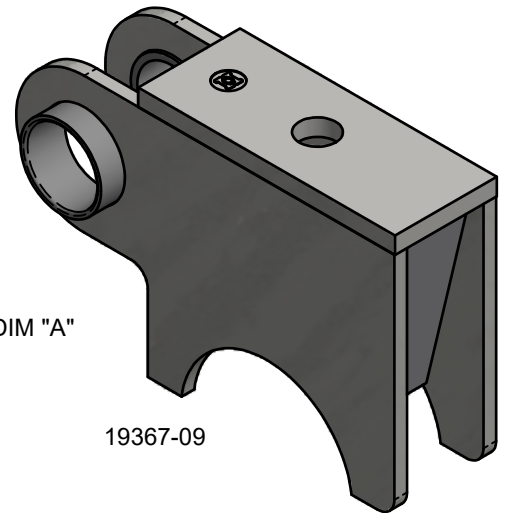
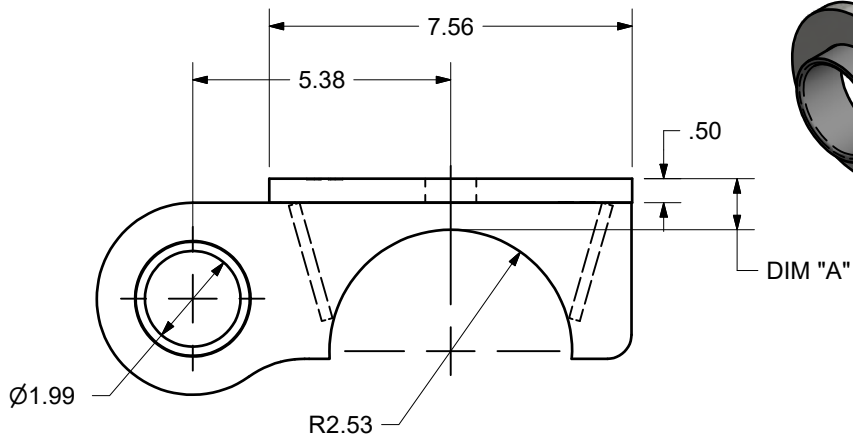
SPRING SEAT IDENTIFICATION OVERSLUNG SEATS	ER: 2022090	REV: -	SHEET: 7 OF 16
		REV DATE: XX/XX/XX	
	PROJ#: 20200200	REV ER: REV ER NO.	DRAWING NO.: 32067

HUTCHENS INDUSTRIES INC.

OVERSLUNG SPRING SEAT IDENTIFICATION



19367-01



19367-09

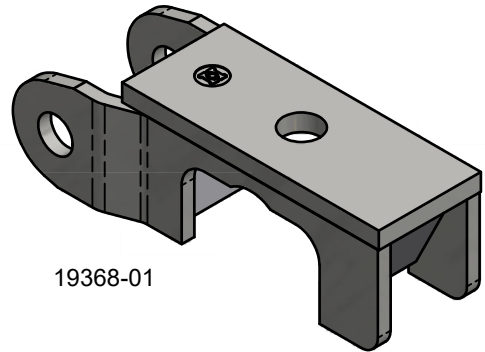
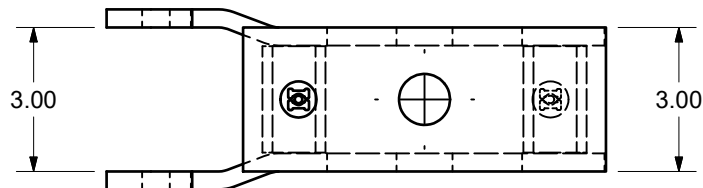
*HEAVY DUTY SPRING SEAT WITH .50 TOP PLATE

PART NO.	SUSPENSION	AXLE SIZE	DIM "A"	SEAT HEIGHT
19367-01	9600	5" RD	1.06	1.00
19367-02	9600	5" RD	1.56	1.50
19367-03	9600	5" RD	2.06	2.00
19367-04	9600	5" RD	2.56	2.50
19367-05	9600	5" RD	3.06	3.00
19367-06	9600	5" RD	3.56	3.50
19367-07	9600	5" RD	4.06	4.00
19367-08	9600	5" RD	4.56	4.50
19367-09	9600	5" RD	5.06	5.00

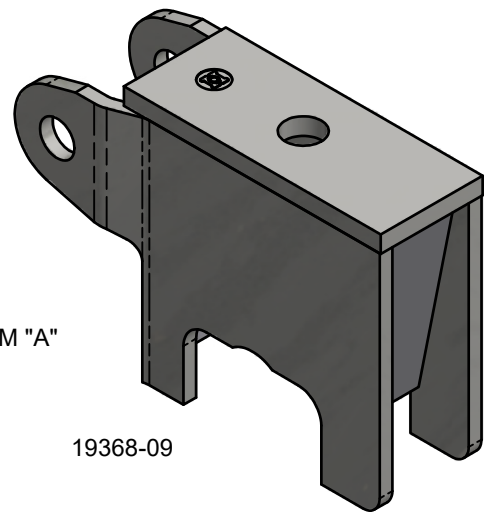
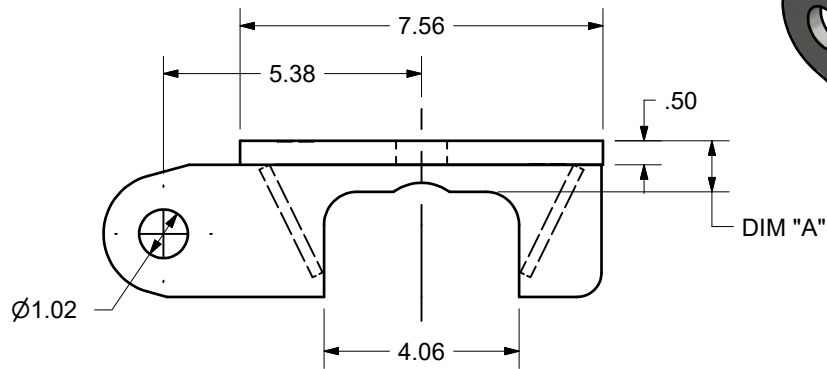
SPRING SEAT IDENTIFICATION OVERSLUNG SEATS	ER: 2022090	REV: - REV DATE: XX/XX/XX	SHEET: 8 OF 16 DRAWING NO.: 32067
	PROJ#: 20200200	REV ER: REV ER NO.	

HUTCHENS INDUSTRIES INC.

OVERSLUNG SPRING SEAT IDENTIFICATION



19368-01



19368-09

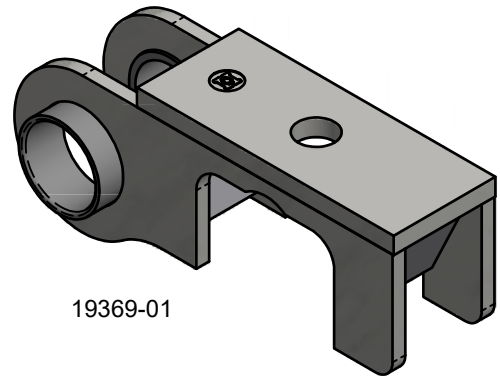
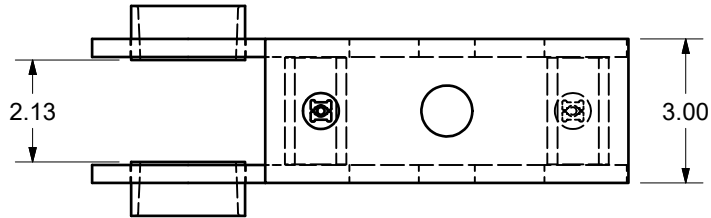
*HEAVY DUTY SPRING SEAT WITH .50 TOP PLATE

PART NO.	SUSPENSION	AXLE SIZE	DIM "A"	SEAT HEIGHT
19368-01	9700	4" X 6"	1.06	1.00
19368-02	9700	4" X 6"	1.56	1.50
19368-03	9700	4" X 6"	2.06	2.00
19368-04	9700	4" X 6"	2.56	2.50
19368-05	9700	4" X 6"	3.06	3.00
19368-06	9700	4" X 6"	3.56	3.50
19368-07	9700	4" X 6"	4.06	4.00
19368-08	9700	4" X 6"	4.56	4.50
19368-09	9700	4" X 6"	5.06	5.00

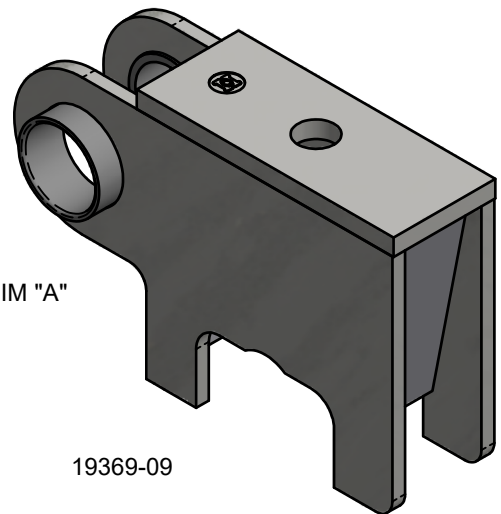
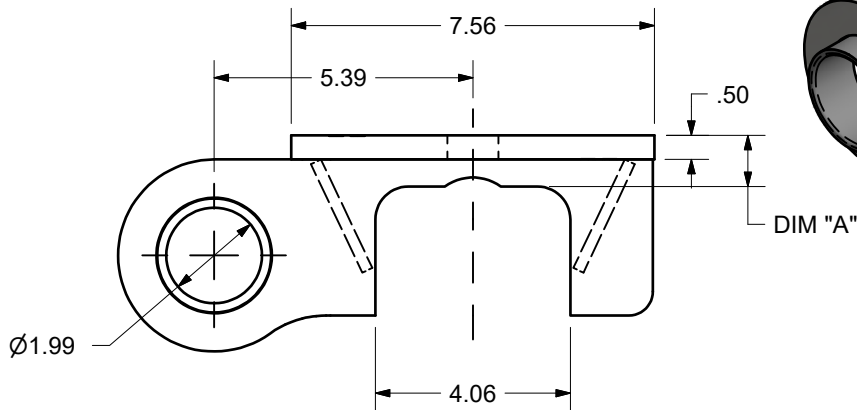
SPRING SEAT IDENTIFICATION OVERSLUNG SEATS	ER: 2022090	REV: - REV DATE: XX/XX/XX	SHEET: 9 OF 16 DRAWING NO.: 32067
	PROJ#: 20200200	REV ER: REV ER NO.	

HUTCHENS INDUSTRIES INC.

OVERSLUNG SPRING SEAT IDENTIFICATION



19369-01



19369-09

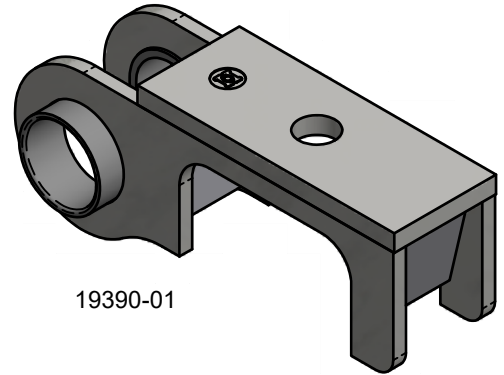
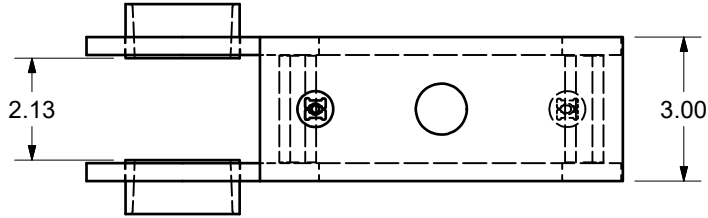
*HEAVY DUTY SPRING SEAT WITH .50 TOP PLATE

PART NO.	SUSPENSION	AXLE SIZE	DIM "A"	SEAT HEIGHT
19369-01	9600	4" X 6"	1.06	1.00
19369-02	9600	4" X 6"	1.56	1.50
19369-03	9600	4" X 6"	2.06	2.00
19369-04	9600	4" X 6"	2.56	2.50
19369-05	9600	4" X 6"	3.06	3.00
19369-06	9600	4" X 6"	3.56	3.50
19369-07	9600	4" X 6"	4.06	4.00
19369-08	9600	4" X 6"	4.56	4.50
19369-09	9600	4" X 6"	5.06	5.00

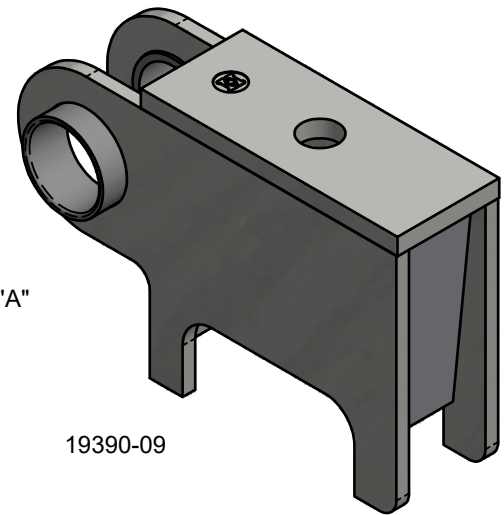
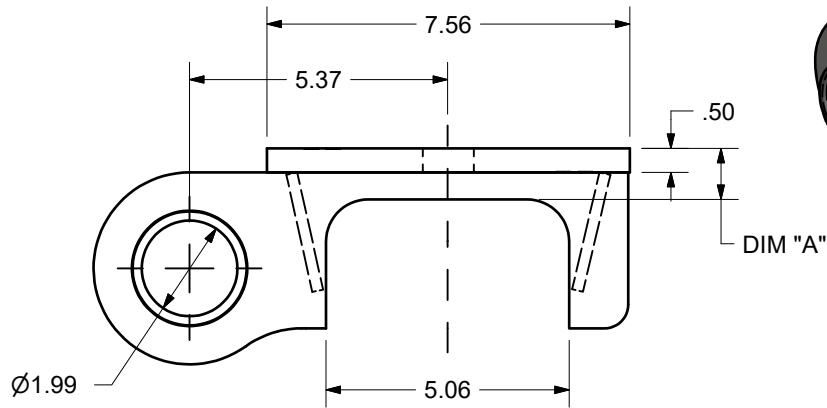
SPRING SEAT IDENTIFICATION OVERSLUNG SEATS	ER: 2022090	REV: - REV DATE: XX/XX/XX	SHEET: 10 OF 16
	PROJ#: 20200200	REV ER: REV ER NO.	

HUTCHENS INDUSTRIES INC.

OVERSLUNG SPRING SEAT IDENTIFICATION



19390-01



19390-09

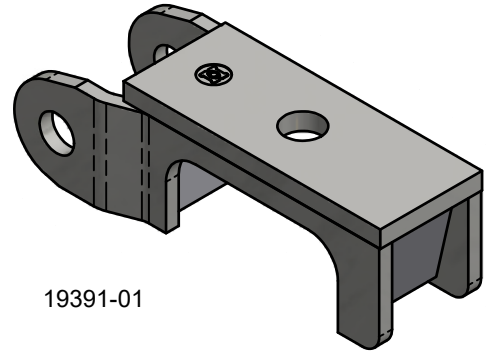
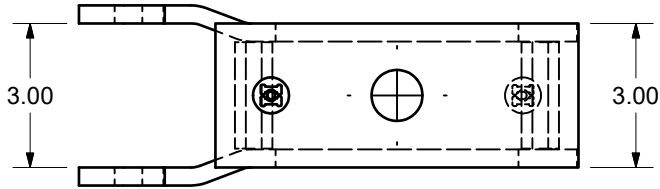
*HEAVY DUTY SPRING SEAT WITH .50 TOP PLATE

PART NO.	SUSPENSION	AXLE SIZE	DIM "A"	SEAT HEIGHT
19390-01	9600	5" SQ	1.06	1.00
19390-02	9600	5" SQ	1.56	1.50
19390-03	9600	5" SQ	2.06	2.00
19390-04	9600	5" SQ	2.56	2.50
19390-05	9600	5" SQ	3.06	3.00
19390-06	9600	5" SQ	3.56	3.50
19390-07	9600	5" SQ	4.06	4.00
19390-08	9600	5" SQ	4.56	4.50
19390-09	9600	5" SQ	5.06	5.00

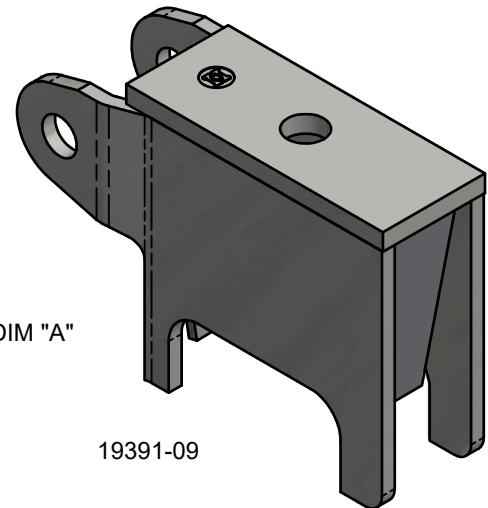
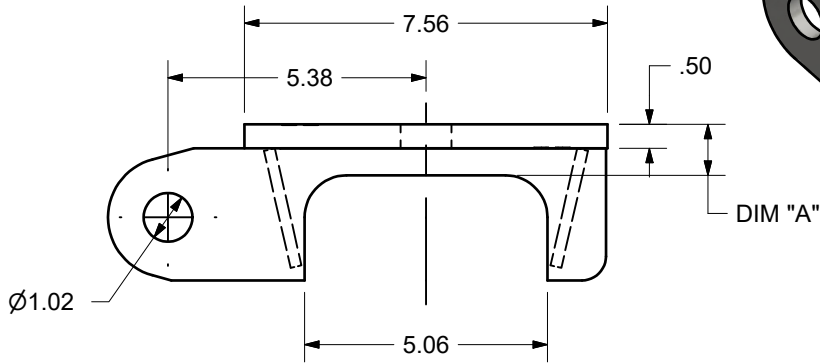
SPRING SEAT IDENTIFICATION OVERSLUNG SEATS	ER: 2022090	REV: - REV DATE: XX/XX/XX	SHEET: 11 OF 16 DRAWING NO.: 32067
	PROJ#: 20200200	REV ER: REV ER NO.	

HUTCHENS INDUSTRIES INC.

OVERSLUNG SPRING SEAT IDENTIFICATION



19391-01



19391-09

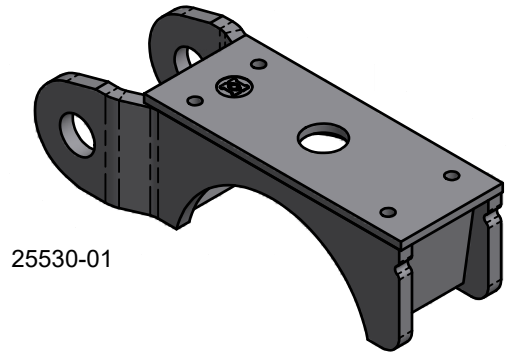
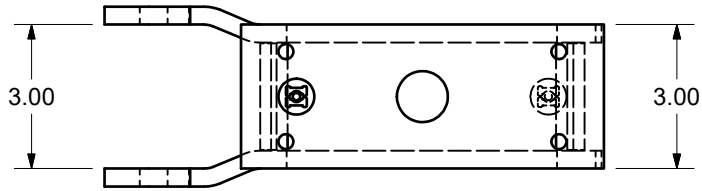
*HEAVY DUTY SPRING SEAT WITH .50 TOP PLATE

PART NO.	SUSPENSION	AXLE SIZE	DIM "A"	SEAT HEIGHT
19391-01	9700	5" SQ	1.06	1.00
19391-02	9700	5" SQ	1.56	1.50
19391-03	9700	5" SQ	2.06	2.00
19391-04	9700	5" SQ	2.56	2.50
19391-05	9700	5" SQ	3.06	3.00
19391-06	9700	5" SQ	3.56	3.50
19391-07	9700	5" SQ	4.06	4.00
19391-08	9700	5" SQ	4.56	4.50
19391-09	9700	5" SQ	5.06	5.00

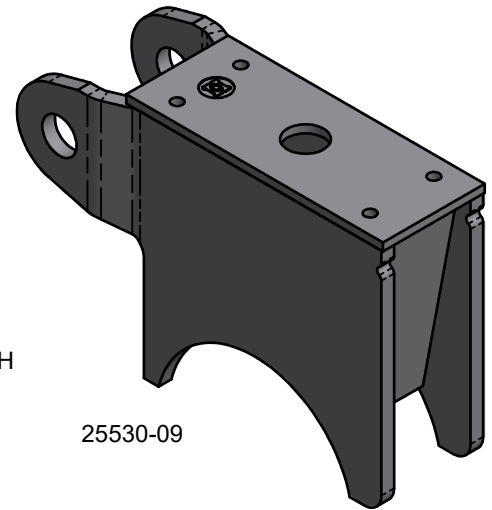
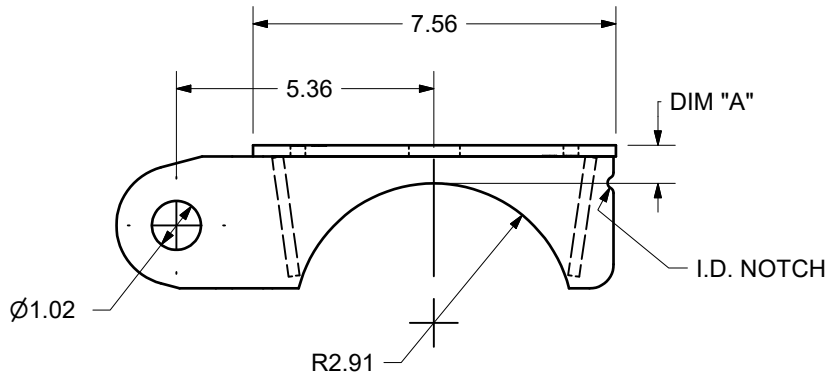
SPRING SEAT IDENTIFICATION OVERSLUNG SEATS	ER: 2022090	REV: - REV DATE: XX/XX/XX	SHEET: 12 OF 16
	PROJ#: 20200200	REV ER: REV ER NO.	

HUTCHENS INDUSTRIES INC.

OVERSLUNG SPRING SEAT IDENTIFICATION



25530-01



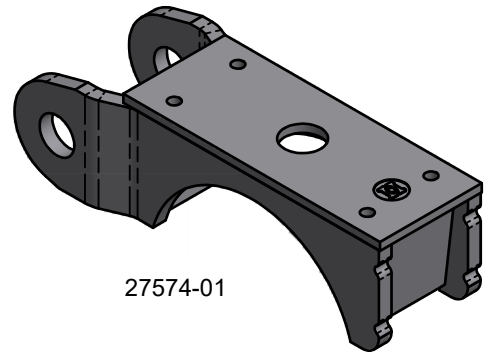
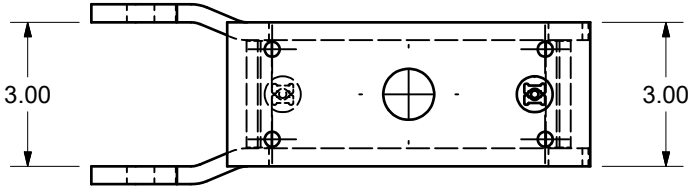
25530-09

PART NO.	SUSPENSION	AXLE SIZE	DIM "A"	SEAT HEIGHT
25530-01	9700	5.75" RD	.79	.75
25530-02	9700	5.75" RD	1.29	1.25
25530-03	9700	5.75" RD	1.79	1.75
25530-04	9700	5.75" RD	2.29	2.25
25530-05	9700	5.75" RD	2.79	2.75
25530-06	9700	5.75" RD	3.29	3.25
25530-07	9700	5.75" RD	3.79	3.75
25530-08	9700	5.75" RD	4.29	4.25
25530-09	9700	5.75" RD	4.79	4.75

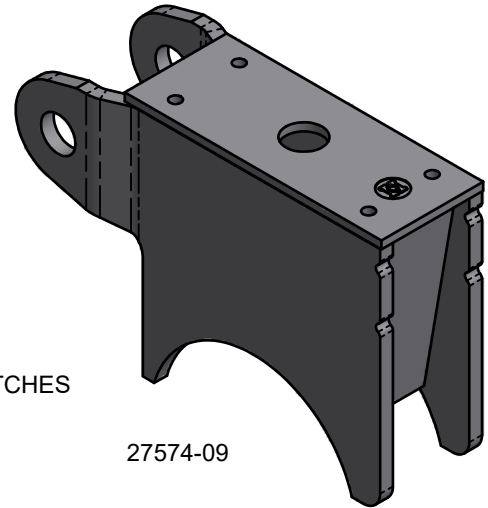
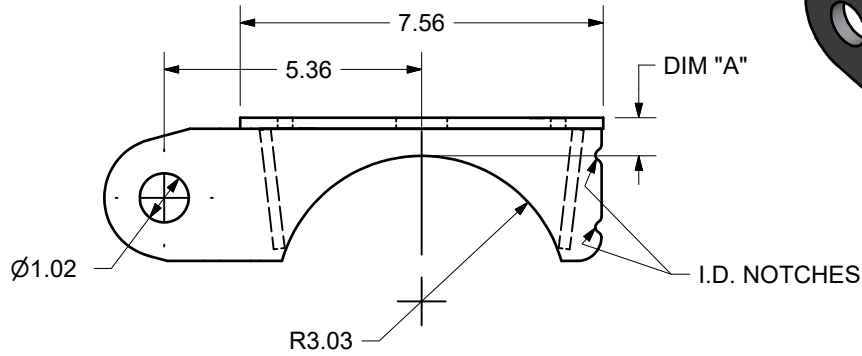
SPRING SEAT IDENTIFICATION OVERSLUNG SEATS	ER: 2022090	REV: -	SHEET: 13 OF 16
	PROJ#: 20200200	REV DATE: XX/XX/XX	
	REV ER: REV ER NO.		DRAWING NO.: 32067

HUTCHENS INDUSTRIES INC.

OVERSLUNG SPRING SEAT IDENTIFICATION



27574-01



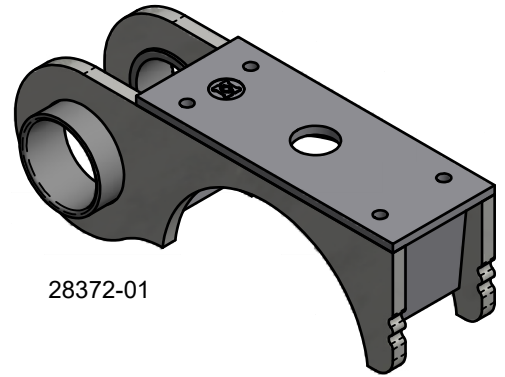
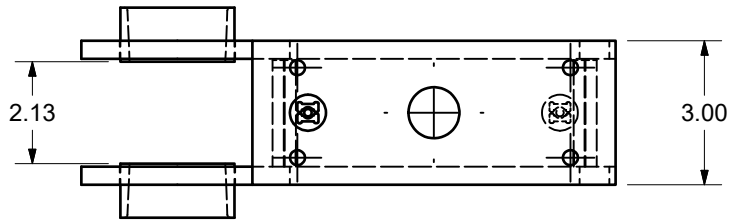
27574-09

PART NO.	SUSPENSION	AXLE SIZE	DIM "A"	SEAT HEIGHT
27574-01	9700	6" RD	.79	.75
27574-02	9700	6" RD	1.29	1.25
27574-03	9700	6" RD	1.79	1.75
27574-04	9700	6" RD	2.29	2.25
27574-05	9700	6" RD	2.79	2.75
27574-06	9700	6" RD	3.29	3.25
27574-07	9700	6" RD	3.79	3.75
27574-08	9700	6" RD	4.29	4.25
27574-09	9700	6" RD	4.79	4.75

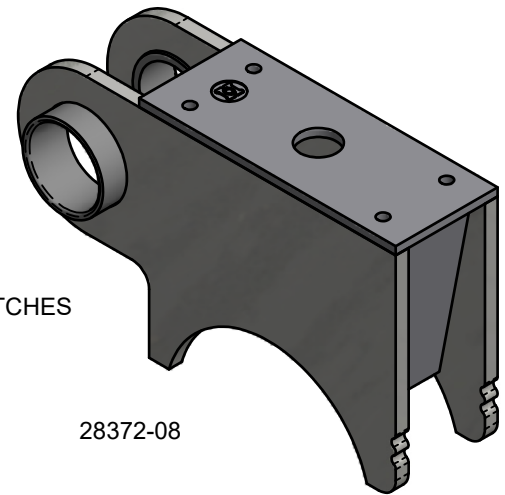
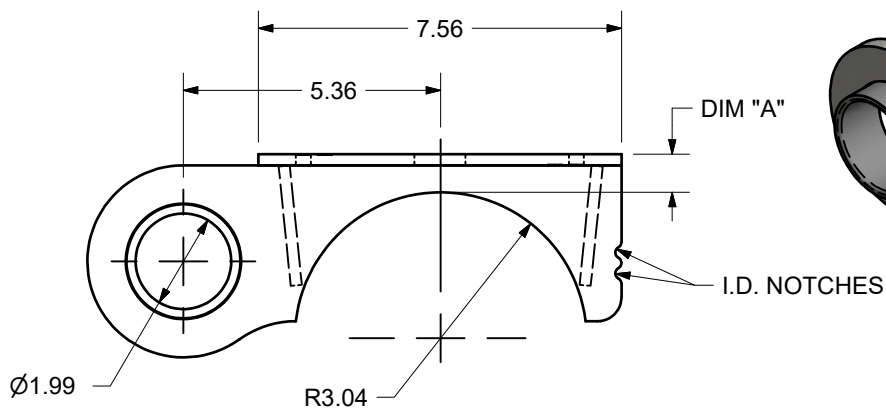
SPRING SEAT IDENTIFICATION OVERSLUNG SEATS	ER: 2022090	REV: -	SHEET: 14 OF 16
		REV DATE: XX/XX/XX	
	PROJ#: 20200200	REV ER: REV ER NO.	DRAWING NO.: 32067

HUTCHENS INDUSTRIES INC.

OVERSLUNG SPRING SEAT IDENTIFICATION



28372-01



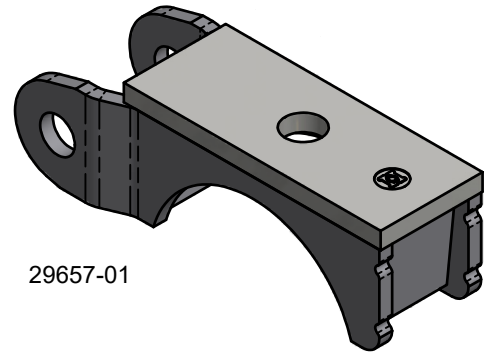
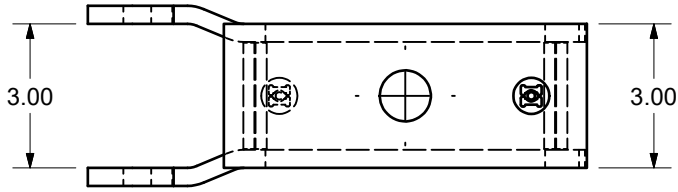
28372-08

PART NO.	SUSPENSION	AXLE SIZE	DIM "A"	SEAT HEIGHT
28372-01	9600	6" RD	.79	.75
28372-02	9600	6" RD	1.29	1.25
28372-03	9600	6" RD	1.79	1.75
28372-04	9600	6" RD	2.29	2.25
28372-05	9600	6" RD	2.79	2.75
28372-06	9600	6" RD	3.29	3.25
28372-07	9600	6" RD	3.79	3.75
28372-08	9600	6" RD	4.29	4.25

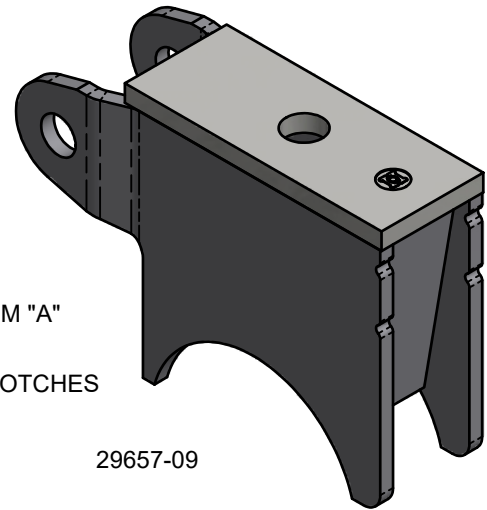
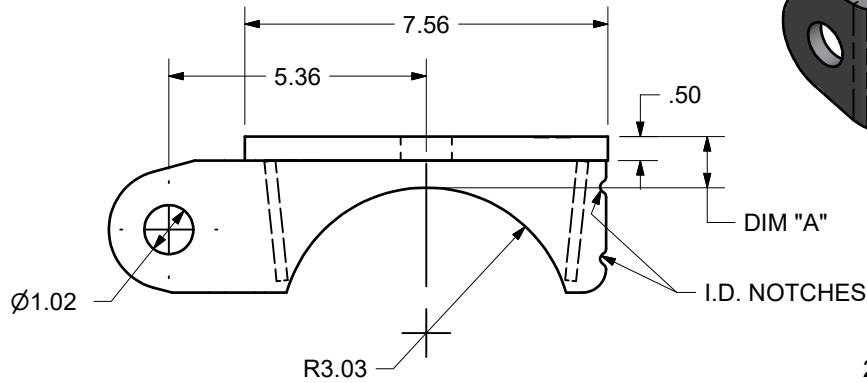
SPRING SEAT IDENTIFICATION OVERSLUNG SEATS	ER: 2022090	REV: - REV DATE: XX/XX/XX	SHEET: 15 OF 16 DRAWING NO.: 32067
	PROJ#: 20200200	REV ER: REV ER NO.	

HUTCHENS INDUSTRIES INC.

OVERSLUNG SPRING SEAT IDENTIFICATION



29657-01



29657-09

*HEAVY DUTY SPRING SEAT WITH .50 TOP PLATE

PART NO.	SUSPENSION	AXLE SIZE	DIM "A"	SEAT HEIGHT
29657-01	9700	6" RD	1.06	1.00
29657-02	9700	6" RD	1.56	1.50
29657-03	9700	6" RD	2.06	2.00
29657-04	9700	6" RD	2.56	2.50
29657-05	9700	6" RD	3.06	3.00
29657-06	9700	6" RD	3.56	3.50
29657-07	9700	6" RD	4.06	4.00
29657-08	9700	6" RD	4.56	4.50
29657-09	9700	6" RD	5.06	5.00

SPRING SEAT IDENTIFICATION OVERSLUNG SEATS	ER: 2022090	REV: -	SHEET: 16 OF 16
		REV DATE: XX/XX/XX	
	PROJ#: 20200200	REV ER: REV ER NO.	DRAWING NO.: 32067