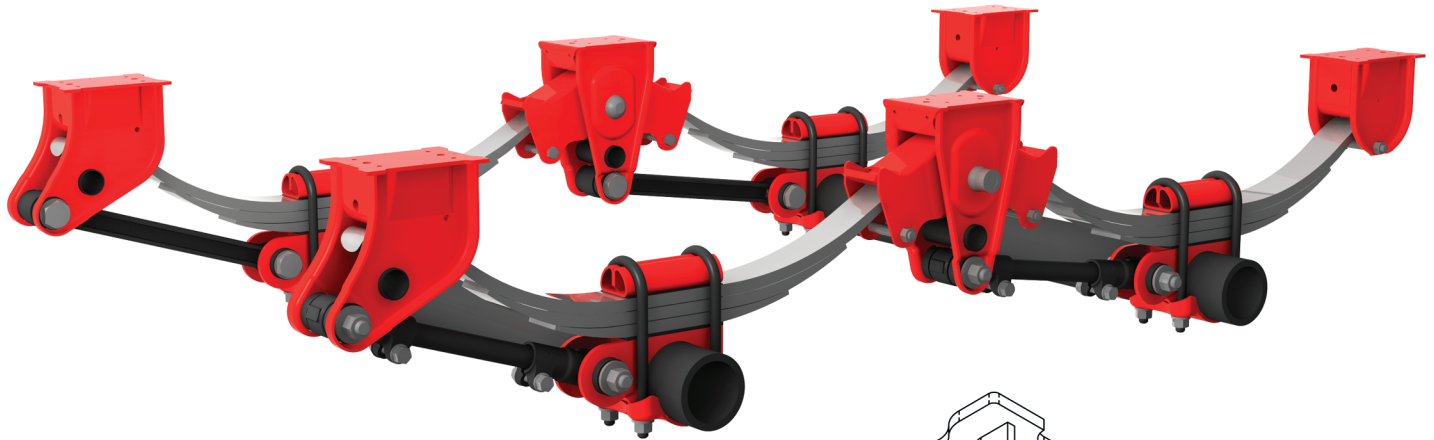




Hutchens Industries

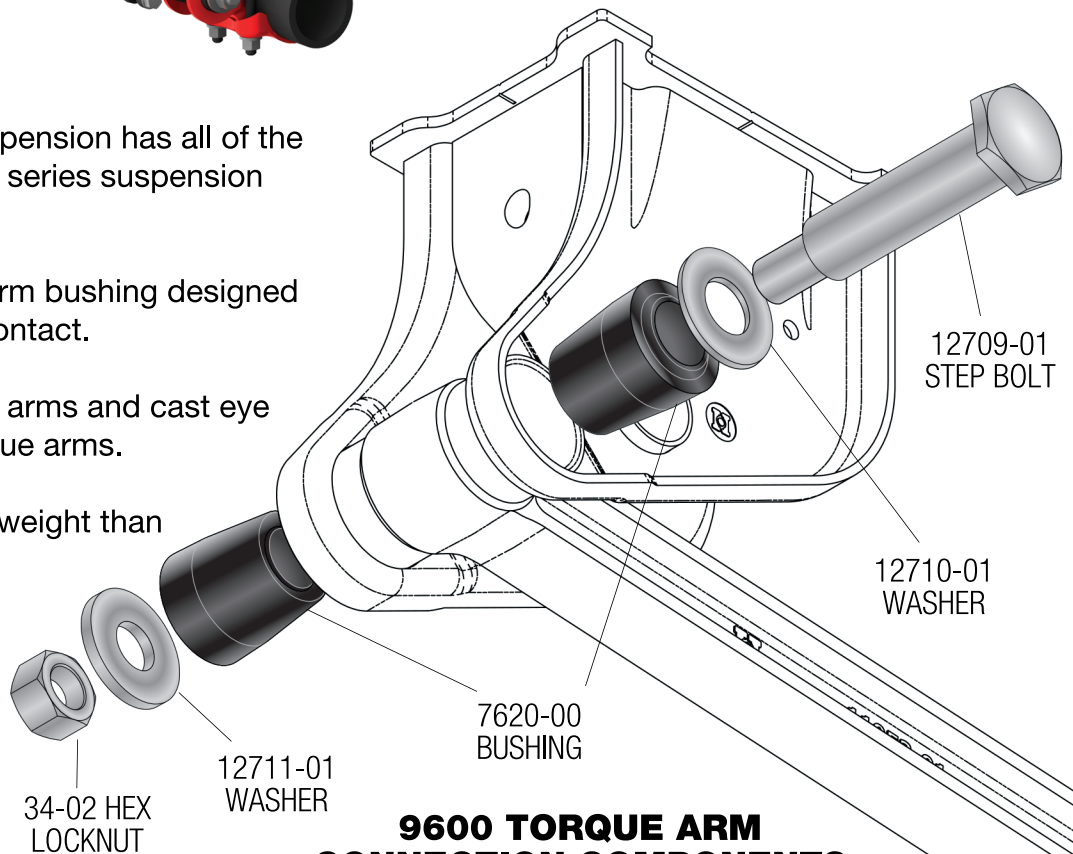
The Difference is Durability. The Quality is Hutchens.

9600 SERIES



The Hutchens 9600 series suspension has all of the benefits of the Hutchens 9700 series suspension plus these added features:

- Two piece tapered torque arm bushing designed to prevent metal to metal contact.
- Cast non-adjustable torque arms and cast eye ends on the adjustable torque arms.
- Less expensive and lighter weight than similar competitor models.



9600 TORQUE ARM CONNECTION COMPONENTS

FOR MORE INFORMATION on the advantages of the Hutchens Industries 9600 Series, contact us at:

(800) 654-8824