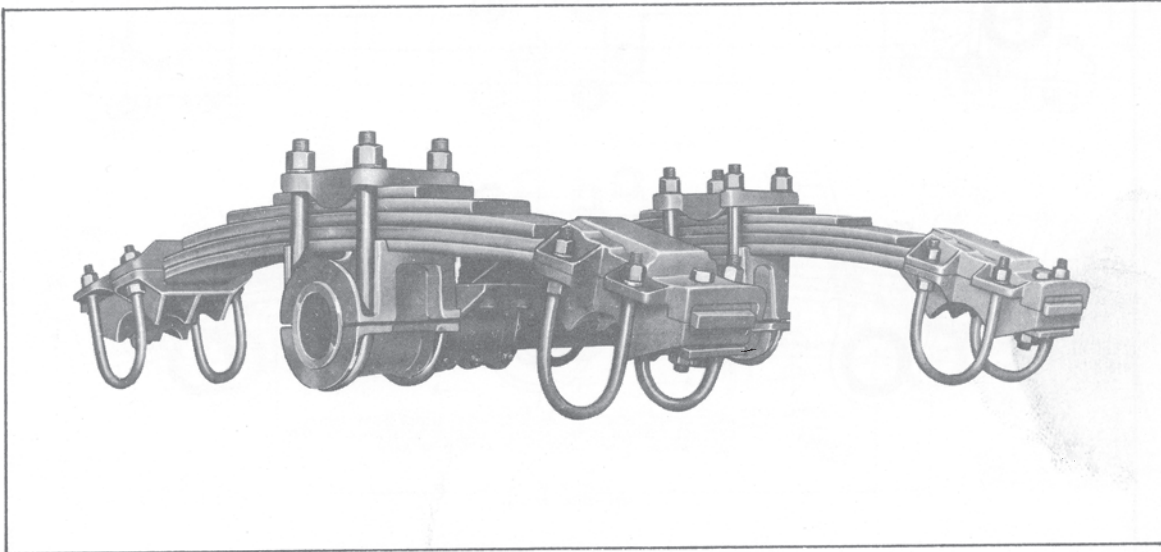


'HUTCH' H-800A MODEL SINGLE POINT TRAILER SUSPENSION



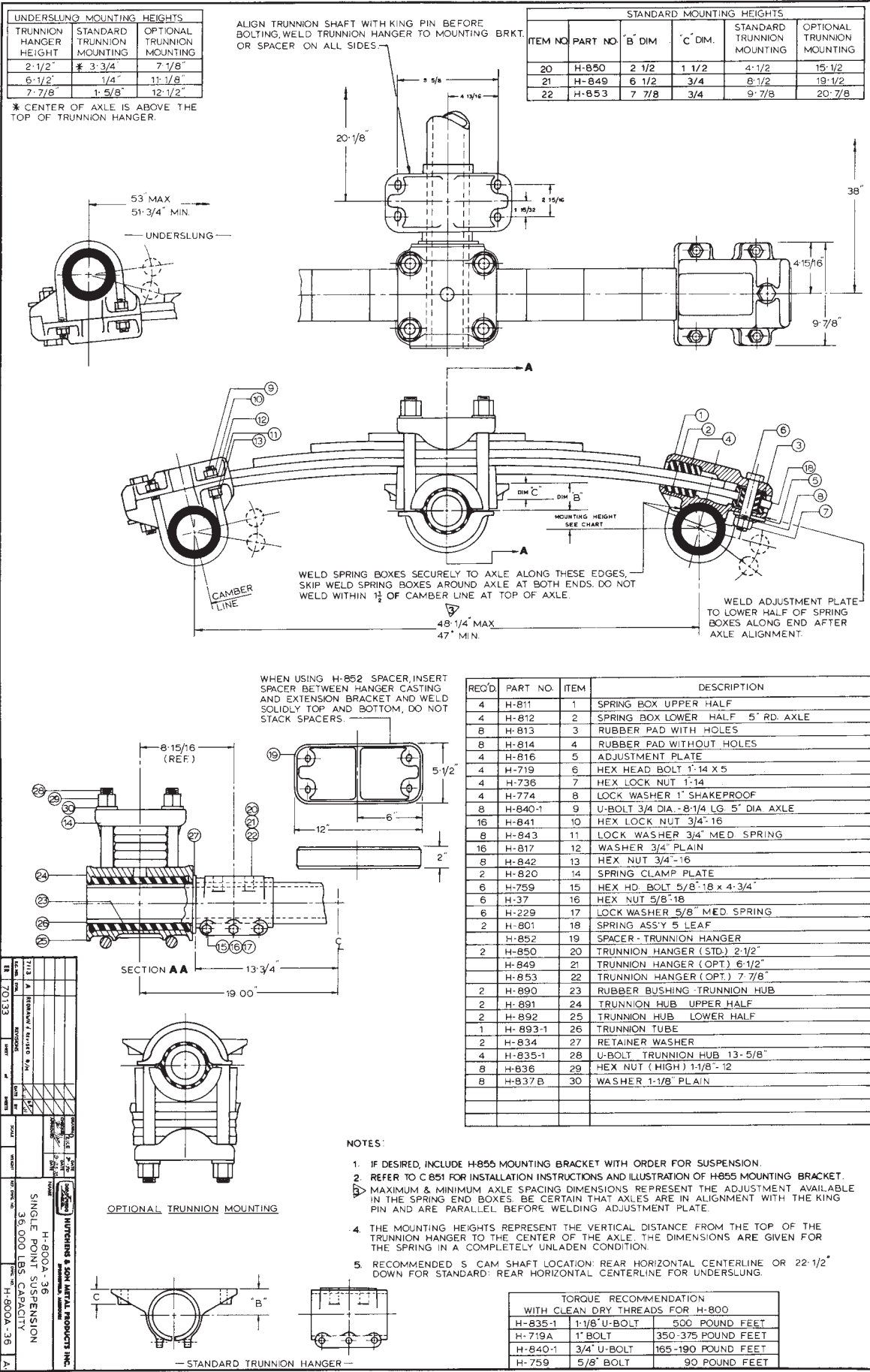
FEATURES OF THIS MODEL

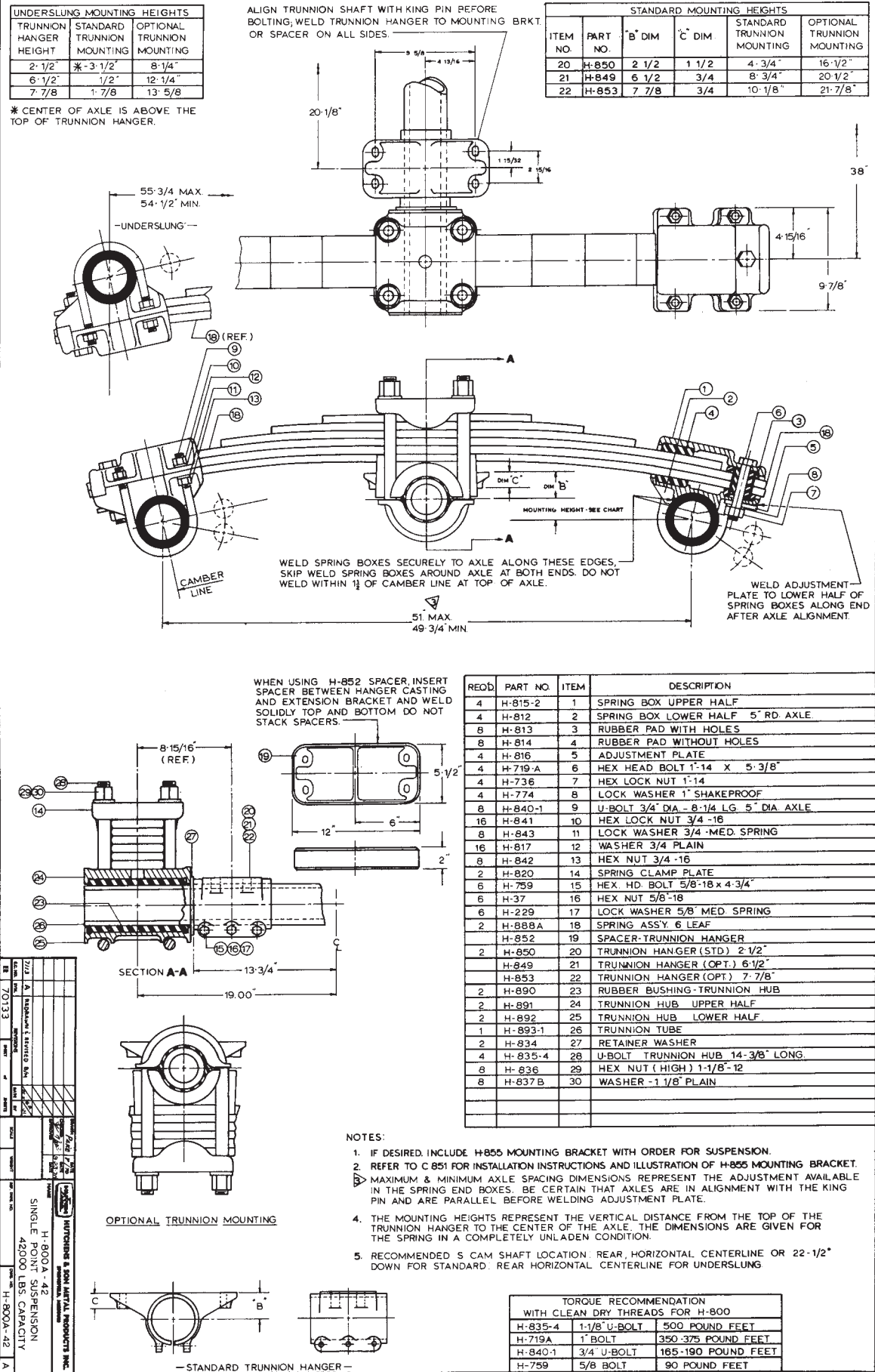
1. A heavy duty suspension specially designed for off road operations, such as logging or dump.
2. Available in a broad range of variations to suit almost any mounting requirement. The standard trunnion mounting is shown, with optional (spring underslung) trunnion mounting available.
3. A broad range of load capacities are available. H-800A-36 for up to 36,000 pound capacity, H-800A-42 for 42,000 pound capacity, H-800A-50 for 50,000 pound capacity and H-800A-60 for up to 60,000 pound loads.
4. The industry's first single point suspension with adjustable alignment of axles. When alignment is completed, the adjustment plate is simply welded in place, to prevent future misalignment.
5. The trunnion rubber bushing is 100% rubber and is pre-loaded at assembly to insure live action of the rubber. Greater flexibility, easier ride and reduced wear are the results of this feature.
6. Maintenance and replacement of the trunnion bushing is performed by the use of a split trunnion casting.
7. The unit is completely rubber bushed, with the use of rubber pads, above and below the spring leaves in the "spring end boxes." A bonded bushing is utilized where the 1" diameter retainer bolt is used in the spring and spring end box connection. This feature reduces wear, noise, and prolongs the life of all components.
8. Heavy duty components are used throughout, from the use of heavy 5" wide springs to the 1-1/8" diameter U-bolts for the trunnion hub. Other components are heavy duty cast steel, that have been "shot peened" to relieve casting stresses. This unit is prime painted ready for installation.
9. Springs are kept in alignment by the use of spring guides both in the trunnion casting and the top plate.
10. Optional 2" thick spacers, trunnion hangers in three heights, and heavy duty mounting brackets are available.
11. Spring end boxes have a built-in bump out area for maximum oscillation protection.

CONTENTS OF THIS SECTION

1. MODEL FEATURES AND PHOTO OF UNIT
2. H-800A-36 SINGLE POINT
3. H-800A-42 SINGLE POINT
4. H-800A-50 SINGLE POINT
5. H-800A-60 SINGLE POINT
6. INSTALLATION INSTRUCTIONS ALL MODELS
7. UNIT PRICES AND WEIGHTS





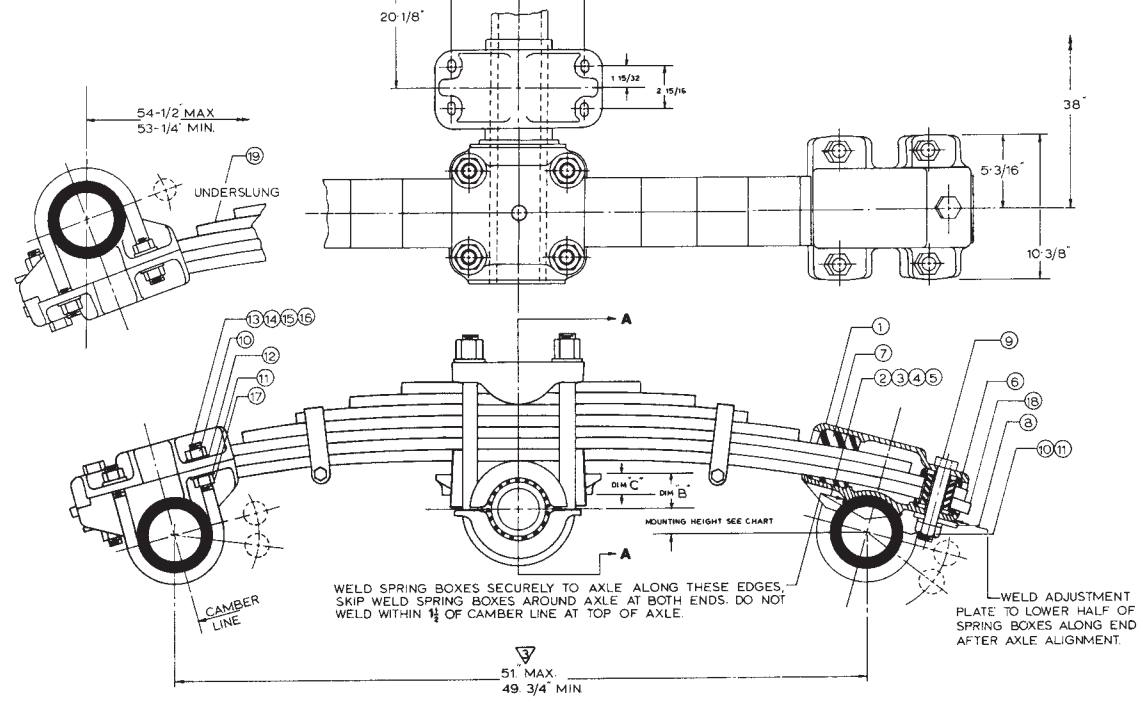


UNDERSLUNG MOUNTING HEIGHTS		
TRUNNION HANGER HEIGHT	STANDARD TRUNNION MOUNTING	OPTIONAL TRUNNION MOUNTING
2-1/2"	3-1/2"	9"
6-1/2"	1-1/2"	13"
7-7/8"	1-7/8"	14-3/8"

* CENTER OF AXLE IS ABOVE THE TOP OF THE TRUNNION HANGER

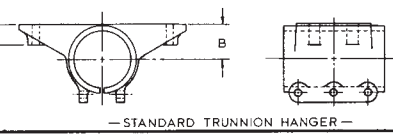
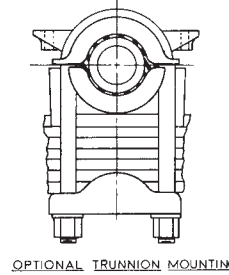
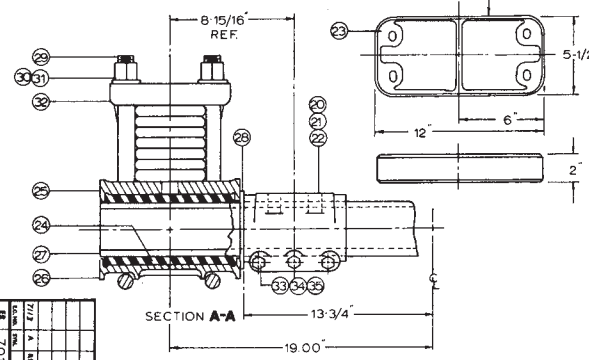
ALIGN TRUNNION SHAFT WITH KING PIN BEFORE BOLTING, WELD TRUNNION HANGER TO MOUNTING BRKT. OR SPACER ON ALL SIDES.

STANDARD MOUNTING HEIGHTS					
ITEM NO	PART NO	B DIM	C DIM	STANDARD TRUNNION MOUNTING	OPTIONAL TRUNNION MOUNTING
20	H-850	2 1/2	1 1/2	5"	17-1/2"
21	H-849	6 1/2	3/4	9"	21-1/2"
22	H-853	7 7/8	3/4	10-3/8"	22-7/8"



WELD SPRING BOXES SECURELY TO AXLE ALONG THESE EDGES. SKIP WELD SPRING BOXES AROUND AXLE AT BOTH ENDS. DO NOT WELD WITHIN 1/4 OF CAMBER LINE AT TOP OF AXLE.

WHEN USING H-852 SPACER INSERT SPACER BETWEEN HANGER CASTING AND EXTENSION BRACKET AND WELD SOLIDLY TOP AND BOTTOM. DO NOT STACK SPACERS.



REQ'D	PART NO	ITEM	DESCRIPTION
4	H-805	1	SPRING BOX-UPPER HALF
	H-807-5	2	SPRING BOX-LOWER HALF- 5" RD AXLE
4	H-807-55	3	SPRING BOX-LOWER HALF-5-1/2" RD AXLE
	H-807-57	4	SPRING BOX-LOWER HALF-5-3/4" RD AXLE
	H-807-6	5	SPRING BOX-LOWER HALF-6" RD AXLE
8	H-813	6	RUBBER PAD-WITH HOLE
8	H-814	7	RUBBER PAD-WITHOUT HOLE
4	H-816	8	ADJUSTMENT PLATE
4	H-719A	9	HEX HEAD BOLT 1-14 x 5-3/8"
20	H-736	10	HEX LOCK NUT 1-14
12	H-774	11	LOCKWASHER 1 SHAKEPROOF
16	H-774A	12	WASHER 1" PLAIN
	H-840-1	13	U-BOLT 3/4" DIA. 5" RD AXLE 8-1/4" LG
8	H-840-2	14	U-BOLT 1" DIA. 5-1/2" RD AXLE 9-1/16" LG
	H-840-3	15	U-BOLT 1" DIA. 5-3/4" RD AXLE 9-5/16" LG
	H-840-4	16	U-BOLT 1" DIA. 6" RD AXLE 9-9/16" LG
8	H-870	17	HEX NUT 1-14
2	H-847	18	SPRING ASSEMBLY - 7 LEAF STD.
	H-872	19	SPRING ASSEMBLY - 7 LEAF FOR UNDERSLUNG
2	H-850	20	TRUNNION HANGER - 2-1/2" HIGH
	H-849	21	TRUNNION HANGER - 6-1/2" HIGH
	H-853	22	TRUNNION HANGER - 7-7/8" HIGH
	H-852	23	SPACER - TRUNNION HANGER - 2"
2	H-890	24	RUBBER BUSHING - TRUNNION HUB
2	H-891	25	TRUNNION HUB - UPPER HALF
2	H-892	26	TRUNNION HUB - LOWER HALF
1	H-893-1	27	TRUNNION TUBE
2	H-834	28	RETAINER WASHER
4	H-835-2	29	U-BOLT TRUNNION HUB 15-1/8" LG
8	H-836	30	HEX NUT (HIGH) 1-7/8-12
8	H-837B	31	WASHER 1-1/8" PLAIN
2	H-820	32	SPRING CLAMP PLATE
6	H-759	33	HEX HEAD BOLT 5/8-16 x 4-3/4"
6	H-37	34	HEX NUT 5/8-16
6	H-229	35	LOCKWASHER 5/8" MED. SPRING

- NOTES:
- IF DESIRED, INCLUDE H-855 MOUNTING BRACKET WITH ORDER FOR SUSPENSION.
 - REFER TO C 851 FOR INSTALLATION INSTRUCTIONS AND ILLUSTRATION OF H-855 MOUNTING BRACKET. MAXIMUM & MINIMUM AXLE SPACING DIMENSIONS REPRESENT THE ADJUSTMENT AVAILABLE IN THE SPRING END BOXES. BE CERTAIN THAT AXLE ARE IN ALIGNMENT WITH THE KING PIN AND ARE PARALLEL BEFORE WELDING ADJUSTMENT PLATE.
 - THE MOUNTING HEIGHTS REPRESENT THE VERTICAL DISTANCE FROM THE TOP OF THE TRUNNION HANGER TO THE CENTER OF THE AXLE. THE DIMENSIONS ARE GIVEN FOR THE SPRING IN A COMPLETELY UNLADEN CONDITION.
 - RECOMMENDED S CAM SHAFT LOCATION: REAR, HORIZONTAL CENTERLINE OR 22-1/2" DOWN FROM STANDARD; REAR HORIZONTAL CENTERLINE FOR UNDERSLUNG.

TORQUE RECOMMENDATION WITH CLEAN DRY THREADS FOR H-800		
H-835-2	1-1/8" U-BOLT	500 POUND FEET
H-719A	1" BOLT	350-375 POUND FEET
H-840-2	1" U-BOLT	275 POUND FEET
H-759	5/8" BOLT	90 POUND FEET

H-800-A-50
 SINGLE POINT SUSPENSION
 50,000 LBS. CAPACITY
 HUTCHINGS & SON METAL PRODUCTS INC.
 70133

