



Hutchens Industries

SINGLE POINT SPEC SHEET

NAME <input type="text"/>	COMPANY <input type="text"/>
PHONE <input type="text"/>	EMAIL <input type="text"/>

AXLE: <input type="checkbox"/> OVERSLUNG (<i>SPRING OVER AXLE</i>) <input type="checkbox"/> UNDERSLUNG	
TRUNNION: <input type="checkbox"/> OVERSLUNG (<i>SPRING OVER TRUNNION</i>) <input type="checkbox"/> UNDERSLUNG	
WEIGHT CAPACITY (lbs): <input type="checkbox"/> 36,000 * 36,000 <input type="checkbox"/>	
<input type="checkbox"/> 42,000 ** 44,000 <input type="checkbox"/>	
<input type="checkbox"/> 50,000 ** 50,000 <input type="checkbox"/>	
<input type="checkbox"/> 60,000 * Uses 2 leaf springs	
<input type="checkbox"/> 70,000 ** Uses 3 leaf springs	
AXLE SIZE: <input type="checkbox"/> 5" Rd	TRUNNION HANGER HEIGHT: <input type="checkbox"/> * 2 1/2"
<input type="checkbox"/> 5 3/4" Rd	<input type="checkbox"/> 4 1/2"
<input type="checkbox"/> 6" Rd	<input type="checkbox"/> 6 1/2"
<input type="checkbox"/> 5" x 5" Sq	<input type="checkbox"/> 8 1/2"
<i>*Available on 44,000 lb. units or less</i>	
AXLE CENTERS: <input type="text"/>	
SPRING CENTERS: <input type="text"/>	
TRUNNION CENTERS: <input type="text"/>	

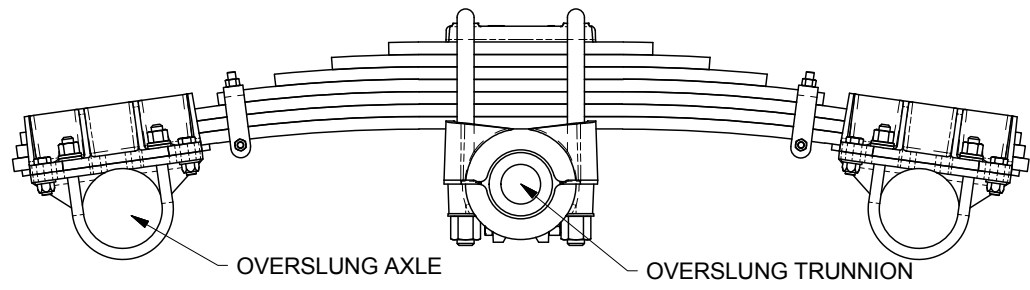
OPTIONS

<input type="checkbox"/> 16793-01 MOUNTING KIT
<input type="checkbox"/> STRADDLE MOUNT TRUNNION HANGER
<input type="checkbox"/> FREE OSCILLATING TRUNNION BRUSHINGS
OTHER <input type="text"/>

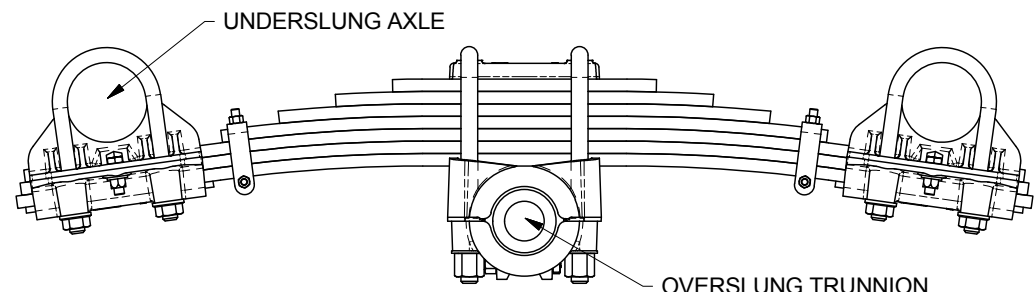
COMMENTS <input type="text"/>

Return via email or fax to Customer Service Department at 417.862.2317

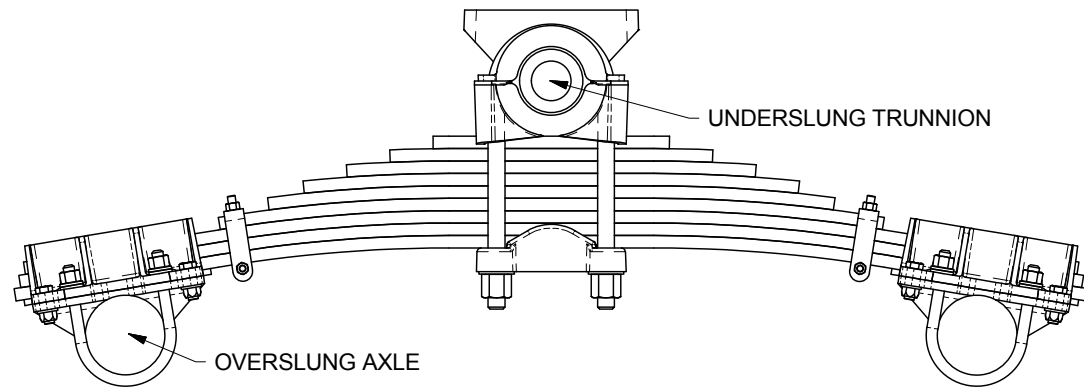
SUSPENSION CONFIGURATIONS



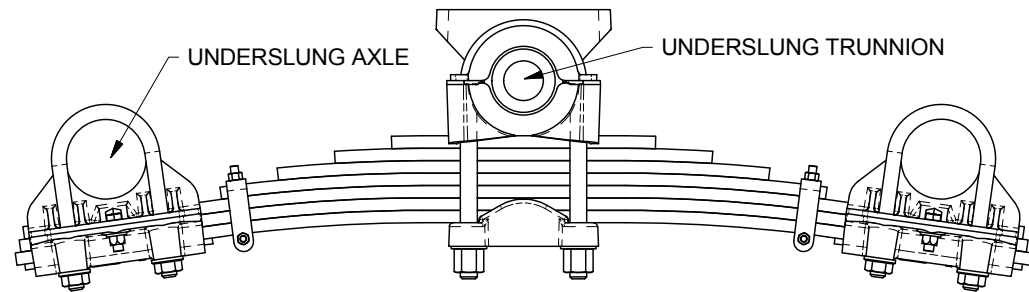
OVERSLUNG / OVERSLUNG
(OS/OS)



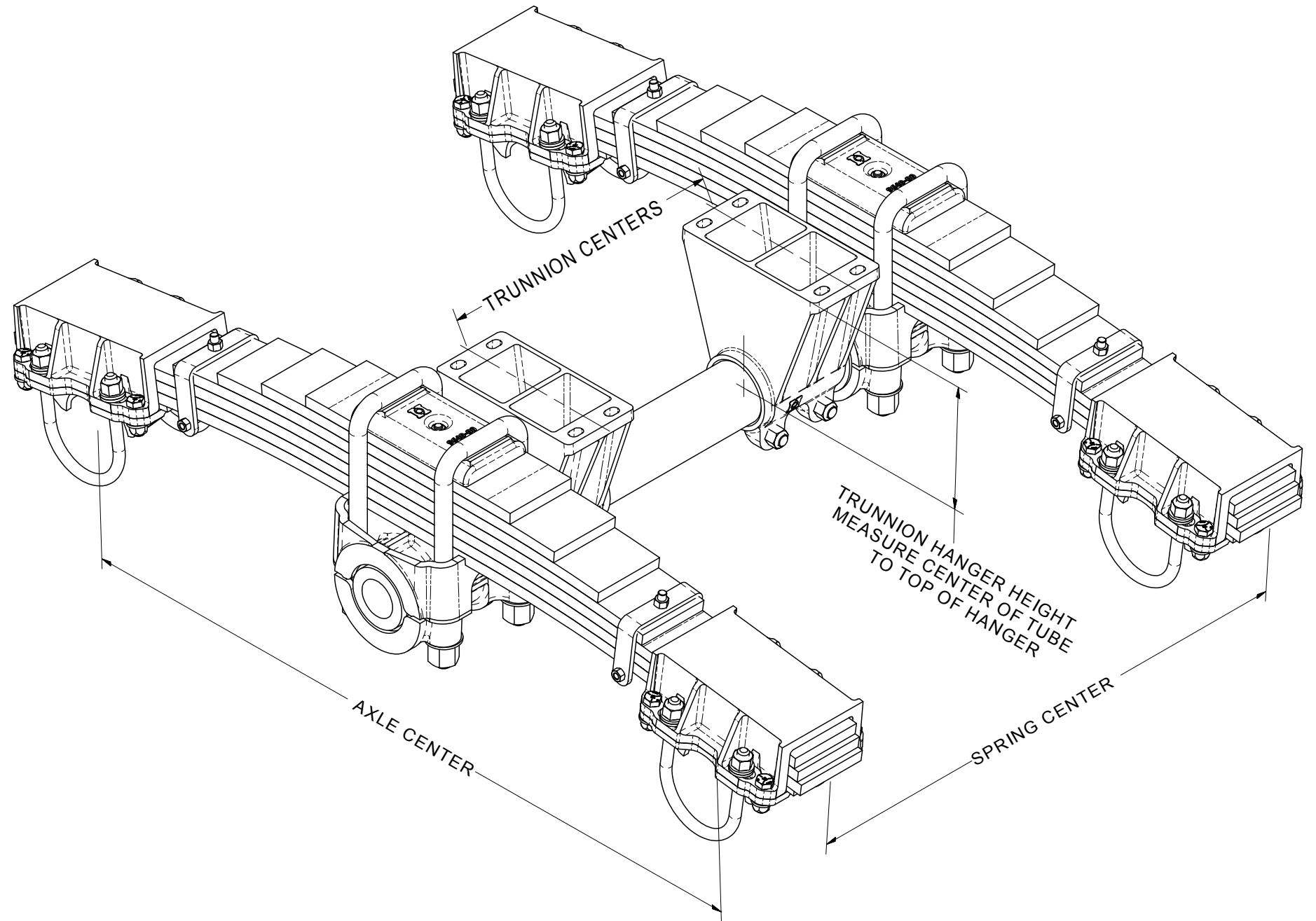
UNDERSLUNG / OVERSLUNG
(US/OS)



OVERSLUNG / UNDERSLUNG
(OS/US)



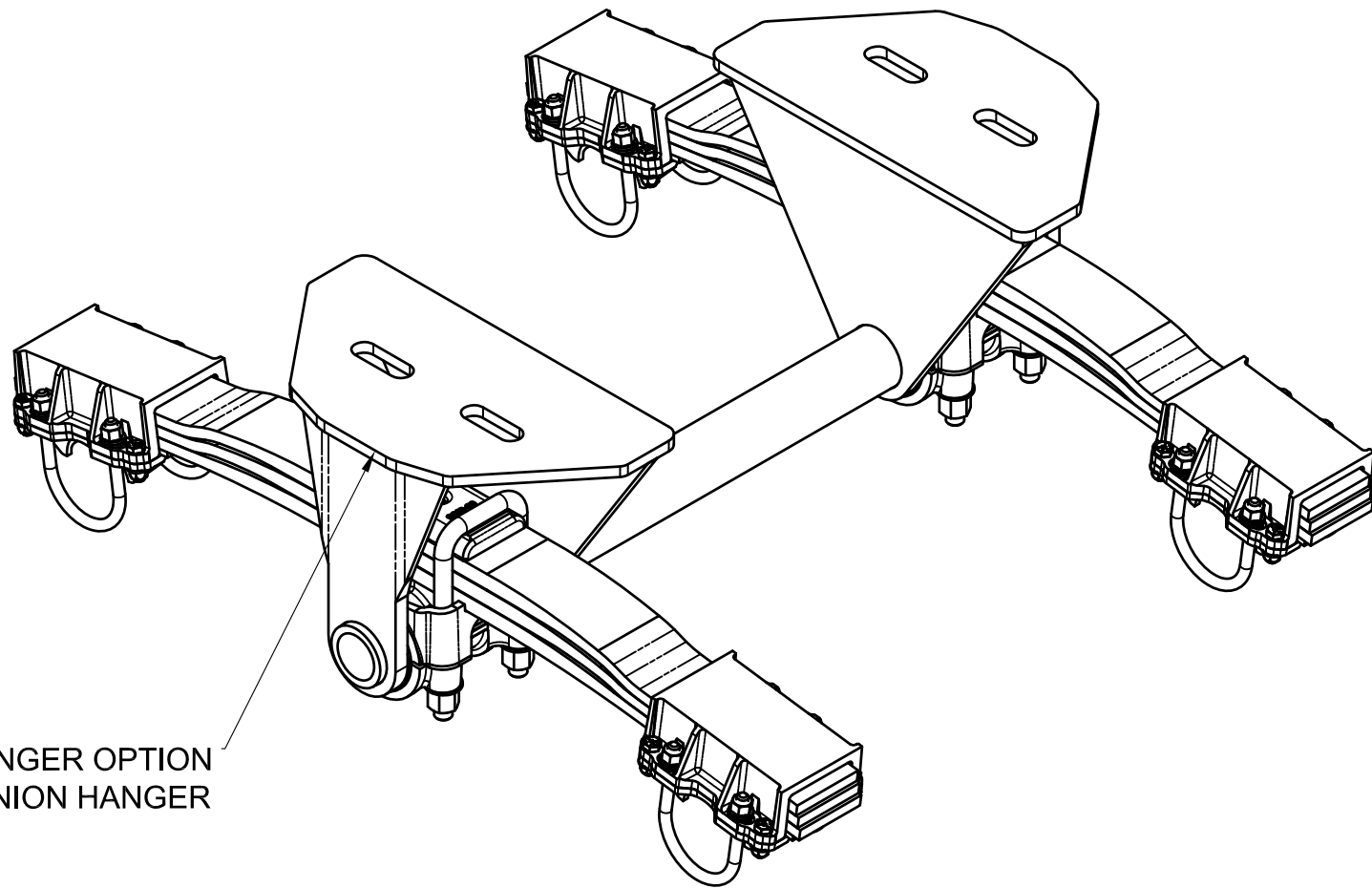
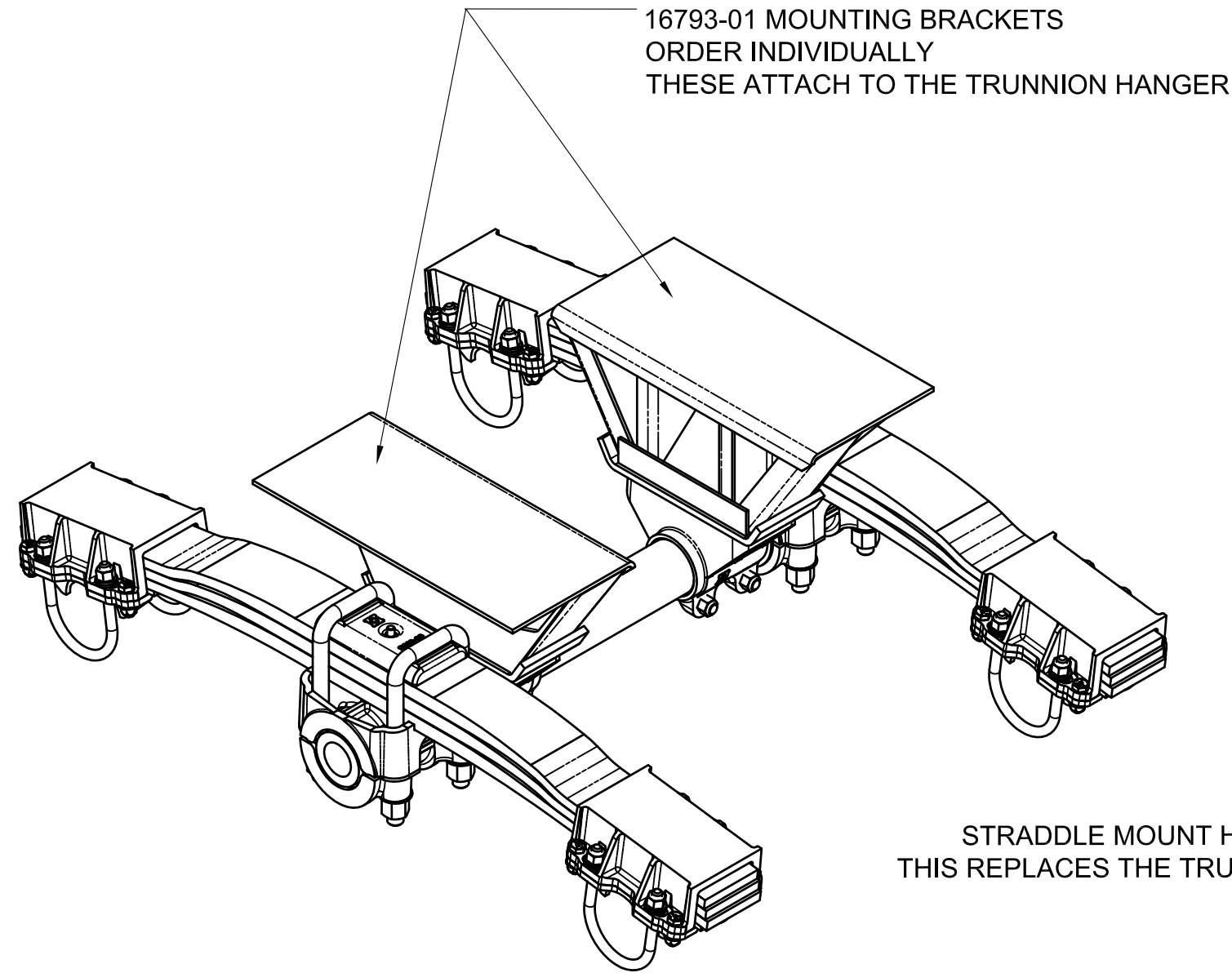
UNDERSLUNG / UNDERSLUNG
(US/US)



USE THIS DRAWING WITH THE H900 SPEC SHEET TO QUOTE AND / OR ORDER THE H900 SUSPENSION.

NEXT ASSY: NEXT		ER NO.:	SYM:	DATE:	REVISIONS	DATE:	BY:	CHK:	APPD:
		DRAWN:	smcdonald	4/7/2016					
		CHECKED:	CHK						LAYOUT
		APPROVED:	APP						HUTCHENS INDUSTRIES, INC. SPRINGFIELD, MISSOURI
		MFG APPL:	N/A						TITLE:
		ER:	2005XXX						H900 DIMENSIONS AND CONFIGURATIONS
		PROJECT OR FILE REFERENCE NO.:	PROJ#:	2005XXXX					
			EPR#:	2005XXXX-01					
		SCALE:							
		D SIZE -	1/X						
		B SIZE -	1/X						
		SHEET	1	OF	1	SIZE:	D	DRAWING NO.:	
		REV:							

This confidential drawing is the property of Hutchens Industries. Hutchens Industries makes no warranties regarding the information on this document. Nothing herein may be transmitted or disclosed in whole or in part to other parties. The recipient of this drawing agrees not to use the information for manufacturing, nor will they modify, distribute, reverse engineer, or create derivative works based on the information contained on this print without the prior written permission of Hutchens Industries. The recipient agrees not to make copies of the document or reproduce in any manner the information in the document and to return it to Hutchens Industries upon request. Any use of this document is acceptance of the terms stated above.



H900 OPTIONS

DRAWN: smcdonald		DATE: 7/18/2013	REVISIONS				DATE	BY	CHK	APPD
CHECKED: CHK		DATE:	LAYOUT				HUTCHENS INDUSTRIES, INC. SPRINGFIELD, MISSOURI			
APPROVED: APP		DATE:								
MFG APPL: N/A		DATE:	TITLE: H900 OPTIONS				SHEET 1 OF 1			
ER: 2005XXX		DATE:								
PROJECT FILE REFERENCE NO. PROJ#: 2005XXXX EPR#: 2005XXXX-01		DATE:	SCALE: D SIZE - 1/X B SIZE - 1/X				DRAWING NO.:		REV.:	
NEXT ASSY: NEXT		DATE:					D		-	

The information contained in this document is the property of Hutchens Industries, Inc. Hutchens Industries makes no warranties regarding the information in this document. Hutchens Industries may be contacted for more information. Hutchens Industries reserves the right to change the information contained in this document without the prior written permission of Hutchens Industries. The recipient agrees not to make copies of this document or reproduce in any manner the information in the document and to return it to Hutchens Industries upon request. Any use of this document is acceptance of the terms stated above.